



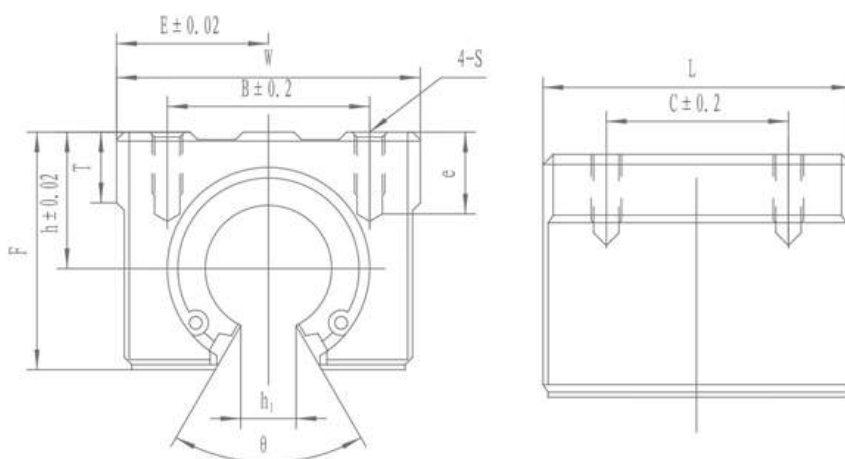
SBR □ S-UU/SBR □ S-PP-UU



SBR □ S-UU



SBR □ S-PP-UU



型号说明

Model Specification

SBR	S	L	PP	UU
铝滑块	标准	加长	压板	密封
Item	Standard	Long	Plates	Seals

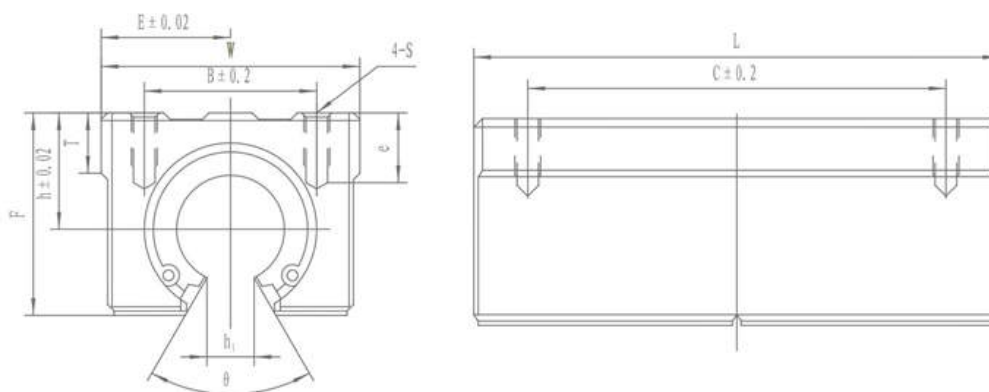
型号 Part Number	轴径 Shaft Diameter	主要尺寸 Main dimensions(mm)										额定载荷 Basic Load Rating		重量 g Weight		
		h	E	W	L	F	T	H1	θ	B	C	S	e		动 dyn.c	静 stat.co
SBR10S-UU SBR10S-PP-UU	10	15	18	36	32	24	7	6	80°	25	20	M5	10	372	549	65
SBR12S-UU SBR12S-PP-UU	12	17	20	40	39	27.6	8	8.5	80°	28	26	M5	10	500	770	100
SBR13S-UU SBR13S-PP-UU	13	17	20	40	39	27.6	8	8.5	80°	28	26	M5	10	510	784	100
SBR16S-UU SBR16S-PP-UU	16	20	22.5	45	45	33	9	10	80°	32	30	M5	12	774	1180	150
SBR20S-UU SBR20S-PP-UU	20	23	24	48	50	39	11	10	60°	35	35	M6	12	882	1370	200
SBR25S-UU SBR25S-PP-UU	25	27	30	60	65	47	14	11.5	50°	40	40	M6	12	980	1570	450
SBR30S-UU SBR30S-PP-UU	30	33	35	70	70	56	15	14	50°	50	50	M8	18	1570	2740	630
SBR35S-UU SBR35S-PP-UU	35	37	40	80	80	63	18	16	50°	55	55	M8	18	1670	3140	920
SBR40S-UU SBR40S-PP-UU	40	42	45	90	90	72	20	19	50°	65	65	M10	20	2160	4020	1330
SBR50S-UU SBR50S-PP-UU	50	53	60	120	110	92	25	23	50°	94	80	M10	20	3820	7940	3000



SBR □ L-PP-UU



SBR □ L-PP-UU



型号说明

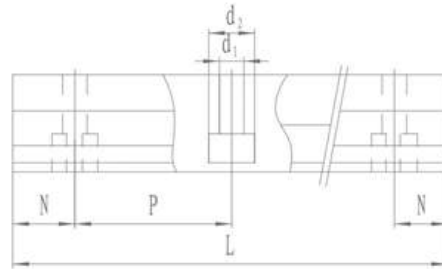
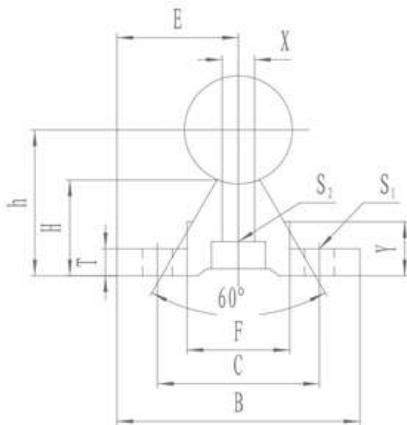
Model Specification

SBR	S	L	PP	UU
铝滑块 Item	标准 Standard	加长 Long	压板 Plates	密封 Seals

型号 Part Number	轴径 Shaft Diameter	主要尺寸 Main dimensions(mm)											额定载荷 Basic Load Rating		重量 g Weight	
		h	E	W	L	F	T	H1	θ	B	C	S	e	动 dyn.c		静 stat.co
SBR10L-PP-UU	10	15	18	36	68	24	7	6	80°	25	46	M5	10	774	1020	130
SBR12L-PP-UU	12	17	20	40	75	27.6	8	8.5	80°	28	50	M5	10	1020	1548	200
SBR16L-PP-UU	16	20	22.5	45	85	33	9	10	80°	32	60	M5	12	1548	2360	300
SBR20L-PP-UU	20	23	24	48	96	39	11	10	60°	35	70	M6	12	1764	2740	400
SBR25L-PP-UU	25	27	30	60	130	47	14	11.5	50°	40	100	M6	12	1960	3140	900
SBR30L-PP-UU	30	33	35	70	140	56	15	14	50°	50	110	M8	18	3140	5480	1260
SBR35L-PP-UU	35	37	40	80	160	63	18	16	50°	55	120	M8	18	3440	6280	1800
SBR40L-PP-UU	40	42	45	90	175	72	20	19	50°	65	140	M10	20	4320	8040	2660
SBR50L-PP-UU	50	53	60	120	215	92	25	23	50°	94	160	M12	20	7640	15880	6000



SBR-C



型号 Part Number	轴径 Shaft Diameter	主要尺寸 Main dimensions(mm)											重量 g Weight
		E	h	B	H	T	F	X	Y	C	S1	S2 d1×d2×i	
SBR-C10	Φ10	16	18	32	13	4	12.5	4.7	8.5	22	Φ4.5	5×9×5	0.54
SBR-C12G	Φ12	15	22.5	30	17	4	12	4.7	12	22	Φ4.5	5×9×5	0.7
SBR-C12	Φ12	16	19	32	13	4	12.5	4.7	8.5	22	Φ4.5	5×9×5	0.7
SBR-C13	Φ13	16	19.5	32	13	4	12.5	4.7	8.5	22	Φ4.5	5×9×5	0.72
SBR-C16	Φ16	20	25	40	17.8	5	18.5	8	11.7	30	Φ5.5	5.5×9.5×5.4	1.0
SBR-C20	Φ20	22.5	27	45	17.7	5	19	8	10	30	Φ5.5	5.5×9.5×5.4	1.07
SBR-C25	Φ25	27.5	33	55	21	6	21.5	8	12	35	Φ6.6	6.6×11×6.5	1.5
SBR-C30	Φ30	30	37	60	22.8	7	26.5	10.3	13	40	Φ6.6	6.6×11×6.5	1.9
SBR-C35	Φ35	32.5	43	65	26.5	8	28	13	15.5	45	Φ9	9×14×8.6	2.45
SBR-C40	Φ40	37.5	48	75	29.5	9	38	15.5	17	55	Φ9	9×14×8.6	3.25
SBR-C50	Φ50	47.5	62	95	38.8	11	45	20	21	70	Φ11	11×17.5×10.8	5.26

导轨支撑的标准长度和尺寸

Support Rail Stand Lengths and Dimensions

型号 Part Number	SBR-C10	SBR-C12	SBR-C13	SBR-C16	SBR-C20	SBR-C25	SBR-C30	SBR-C35	SBR-C40	SBR-C50
标准长度 Standard Length L	140	140	140	190	340	250	450	460	460	470
	240	240	240	340	640	450	850	660	660	670
	-	-	-	-	-	-	-	-	860	870
	340	340	340	640	940	850	1250	860	1060	1070
	440	440	440	940	1240	1250	1450	1060	1260	1270
N	20	20	20	20	20	25	25	30	30	35
P	100	100	100	150	150	200	200	200	200	200
最大长度 Max .Length	5000	5000	5000	6000	6000	6000	6000	6000	6000	6000

超过最大长度可对接, 请以图纸形式咨询 Exceeds the maximum length need docking, please show the drawing.



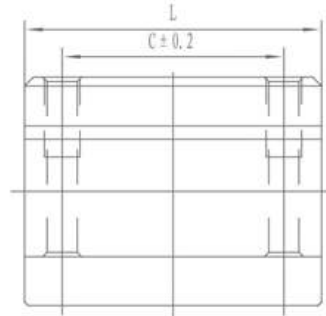
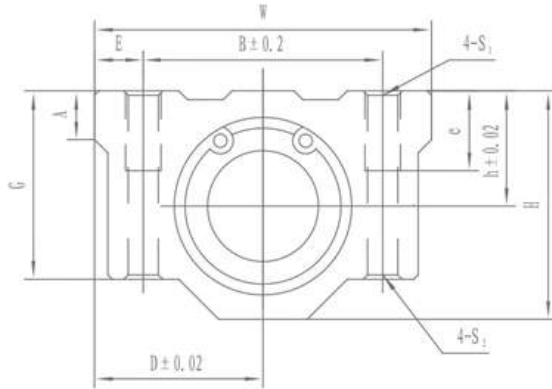
▶ SC □ S-UU/SC □ SAJ-UU



SC □ S-UU



SC □ S-AJ-UU



型号说明 Model Specification

SC	V	S	L	AJ	UU
铝滑块 Item	短型 Short	标准 Standard	加长 Long	调隙 Adjustment	密封 Seals

型号 Part Number	主要尺寸和安装尺寸 Main dimensions and Mounting dimensions (mm)												额定载荷 Basic Load Rating		重量 g Weight	
	h	D	L	W	H	G	A	E	B	C	S1×e	S2	动 dyn.c	静 stat.c0		
SC6S-UU	SC6S-AJ-UU	9	15	25	30	18	15	6	5	20	15	M4×8	3.4	206	265	34
SC8S-UU	SC8S-AJ-UU	11	17	30	34	22	18	6	5	24	18	M4×8	3.4	274	392	52
SC10S-UU	SC10S-AJ-UU	13	20	35	40	26	21	8	6	28	21	M5×12	4.3	372	549	92
SC12S-UU	SC12S-AJ-UU	15	21	36	42	28	24	8	5.75	30.5	26	M5×12	4.3	510	784	102
SC13S-UU	SC13S-AJ-UU	15	22	39	44	30	24.5	8	5.5	33	26	M5×12	4.3	510	784	120
SC16S-UU	SC16S-AJ-UU	19	25	44	50	38.5	32.5	9	7	36	34	M5×12	4.3	774	1180	200
SC20S-UU	SC20S-AJ-UU	21	27	50	54	41	35	11	7	40	40	M6×12	5.2	882	1370	255
SC25S-UU	SC25S-AJ-UU	26	38	67	76	51.5	42	12	11	54	50	M8×18	7	980	1570	600
SC30S-UU	SC30S-AJ-UU	30	39	72	78	59.5	49	15	10	58	58	M8×18	7	1574	2740	735
SC35S-UU	SC35S-AJ-UU	34	45	80	90	68	54	18	10	70	60	M8×18	7	1670	3140	1100
SC40S-UU	SC40S-AJ-UU	40	51	90	102	78	62	20	11	80	60	M10×25	8.7	2160	4020	1590
SC50S-UU	SC50S-AJ-UU	52	61	110	122	102	80	25	11	100	80	M10×25	8.7	3820	7940	3340
SC60S-UU	SC60S-AJ-UU	58	66	122	132	114	94	30	12	108	90	M12×25	10.7	6500	13000	4270



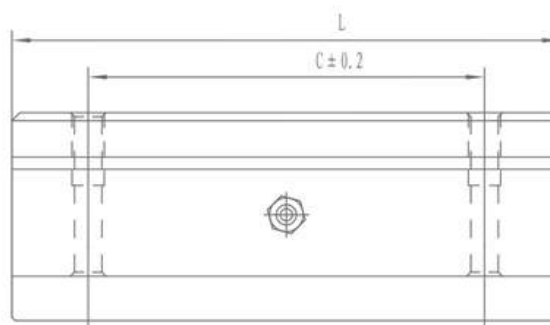
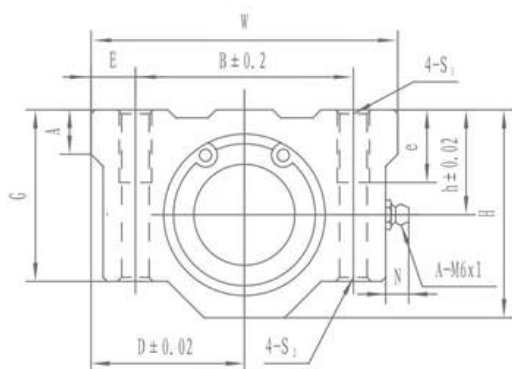
▶ SCE □ L-UU/SCE □ L-AJ-UU



SCE □ L-UU



SCE □ L-AJ-UU



型号说明

Model Specification

SC	E	V	S	L	AJ	UU
铝滑块 Item	欧标 Europ	短型 Short	标准 Standard	加长 Long	调隙 Adjustment	密封 Seals

型号 Part Number		主要尺寸和安装尺寸 Main dimensions and Mounting dimensions (mm)											重量 g Weight	
密封型 Seal Type		h	D	L	W	H	G	A	E	B	C	S1×e		S2
SCE8L-UU	SCE8L-AJ-UU	11	17	58	34	22	18	6	5	24	12	M4×8	3.4	160
SCE10L-UU	SCE10L-AJ-UU	13	20	68	40	26	21	8	6	28	46	M5×12	4.3	180
SCE12L-UU	SCE12L-AJ-UU	15	22	77	44	30	24.5	8	5.5	33	64	M5×12	4.3	237
SCE16L-UU	SCE16L-AJ-UU	19	25	89	50	38.5	32.5	9	7	36	79	M5×12	4.3	405
SCE20L-UU	SCE20L-AJ-UU	21	27	100	54	41	35	11	7	40	90	M6×12	5.2	510
SCE25L-UU	SCE25L-AJ-UU	26	38	136	76	51.5	42	12	11	54	119	M8×18	7	1220
SCE30L-UU	SCE30L-AJ-UU	30	39	154	78	59.5	49	15	10	58	132	M8×18	7	1580
SCE40L-UU	SCE40L-AJ-UU	40	51	180	102	78	62	20	11	80	150	M10×25	8.7	3180
SCE50L-UU	SCE50L-AJ-UU	52	64	230	122	102	80	25	11	100	200	M12×25	8.7	6990



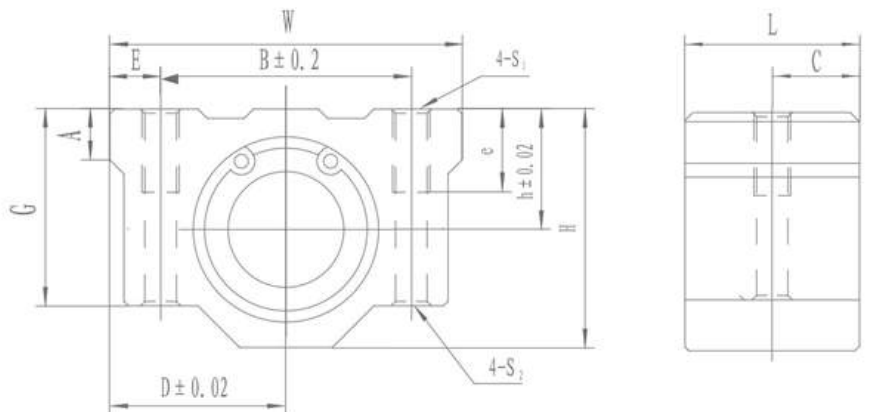
▶ SC □ V-UU



SC □ V-UU

型号说明 Model Specification

SC	V	S	L	UU
铝滑块 Item	短型 Short	标准 Standard	加长 Long	密封 Seals



型号 Part Number	主要尺寸和安装尺寸 Main dimensions and Mounting dimensions (mm)												额定载荷 Basic Load Rating		重量 g Weight
	h	D	L	W	H	G	A	E	B	C	S1×e	S2	动 dyn.c	静 stat.c0	
SC8V-UU	11	17	15.4	34	22	18	6	5	24	7.7	M4×8	3.4	274	392	27
SC10V-UU	13	20	19.9	40	26	21	8	6	28	9.95	M5×12	4.3	372	549	53
SC12V-UU	15	21	20.9	42	28	24	8	5.75	30.5	10.45	M5×12	4.3	510	784	60
SC13V-UU	15	22	20.9	44	30	24.5	8	5.5	33	10.45	M5×12	4.3	510	784	64
SC16V-UU	19	25	24	50	38.5	32.5	9	7	36	12	M5×12	4.3	774	1180	110
SC20V-UU	21	27	28	54	41	35	11	7	40	14	M6×12	5.2	882	1370	144
SC25V-UU	26	38	37.8	76	51.5	42	12	11	54	18.9	M8×18	7	980	1570	340
SC30V-UU	30	39	41.3	78	59.5	49	15	10	58	20.65	M8×18	7	1574	2740	424
SC35V-UU	34	45	45.3	90	68	54	18	10	70	22.65	M8×18	7	1670	3140	626
SC40V-UU	40	51	56.3	102	78	62	20	11	80	28.15	M10×25	8.7	2160	4020	1000
SC50V-UU	52	61	68.8	122	102	80	25	11	100	34.4	M10×25	8.7	3820	7940	2100
SC60V-UU	58	66	79.4	132	114	94	30	12	108	39.7	M12×25	10.7	5700	12000	3800



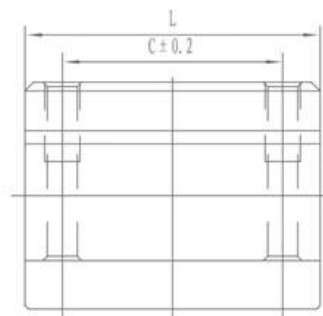
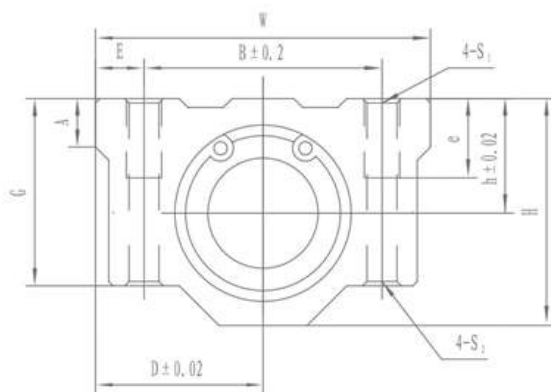
▶ SCE □ S-UU/SCE □ S-AJ-UU



SCE □ S-UU



SCE □ S-AJ-UU



型号说明 Model Specification

SC	E	V	S	AJ	UU
铝滑块 Item	欧标 Europ	短型 Short	标准 Standard	调隙 Adjustment	密封 Seals

型号 Part Number		主要尺寸和安装尺寸 Main dimensions and Mounting dimensions (mm)											重量 g Weight	
密封型 Seal Type		h	D	L	W	H	G	A	E	B	C	S1×e		S2
SCE8S-UU	SCE8S-AJ-UU	11	17	30	34	22	18	6	5	24	18	M4×8	3.4	98
SCE10S-UU	SCE10S-AJ-UU	13	20	35	40	26	21	8	6	28	21	M5×12	4.3	102
SCE12S-UU	SCE12S-AJ-UU	15	22	39	44	30	24.5	8	5.5	33	26	M5×12	4.3	120
SCE16S-UU	SCE16S-AJ-UU	19	25	44	50	38.5	32.5	9	7	36	34	M5×12	4.3	200
SCE20S-UU	SCE20S-AJ-UU	21	27	53	54	41	35	11	7	40	40	M6×12	5.2	270
SCE25S-UU	SCE25S-AJ-UU	26	38	67	76	51.5	42	12	11	54	50	M8×18	7	600
SCE30S-UU	SCE30S-AJ-UU	30	39	76	78	59.5	49	15	10	58	58	M8×18	7	776
SCE40S-UU	SCE40S-AJ-UU	40	51	90	102	78	62	20	11	80	60	M10×25	8.7	1590
SCE50S-UU	SCE50S-AJ-UU	52	61	110	122	102	80	25	11	100	80	M10×25	8.7	3340
SCE60S-UU	SCE60S-AJ-UU	58	66	137	132	114	94	30	12	108	90	M12×25	10.7	4800



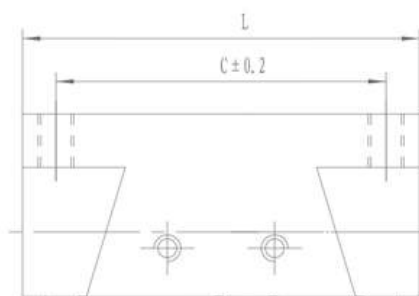
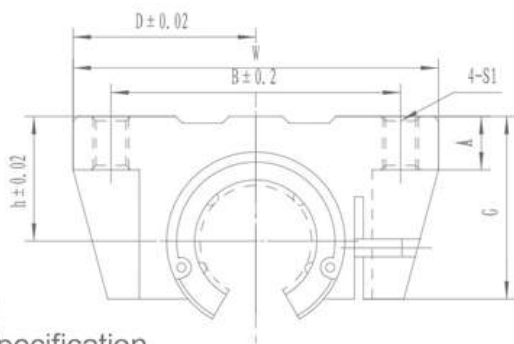
▶ TBR-UU/TBR □ L-UU



TBR-UU



TBR □ L-UU



型号说明 Model Specification

TBR	S	L	UU
铝滑块 Item	标准 Standard	加长 Long	密封 Seals

型号 Part Number	主要尺寸和安装尺寸 Main dimensions and Mounting dimensions (mm)									额定载荷 Basic Load Rating		重量 g Weight
	h	D	L	W	G	A	B	C	S1	动 dyn.c	静 stat.co	
TBR16UU	18	31	42	62	26	8	50	30	M5	392	490	180
TBR20UU	21	34	51	68	31	10	54	37	M6	784	1176	300
TBR25UU	38	41	65	82	41	12	65	50	M8	1568	2352	600
TBR30UU	33.5	45.5	75	91	48	12	75	60	M8	1764	2940	900

型号 Part Number	主要尺寸和安装尺寸 Main dimensions and Mounting dimensions (mm)									额定载荷 Basic Load Rating		重量 g Weight
	h	D	L	W	G	A	B	C	S1	动 dyn.c	静 stat.co	
TBR16LUU	18	31	85	62	26	8	50	60	M5	392	490	180
TBR20LUU	21	34	96	68	31	10	54	70	M6	784	1176	300
TBR25LUU	38	41	130	82	41	12	65	100	M8	1568	2352	600
TBR30LUU	33.5	45.5	140	91	48	12	75	110	M8	1764	2940	900



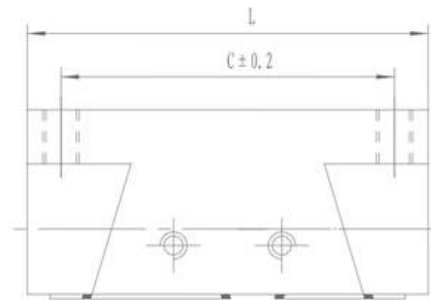
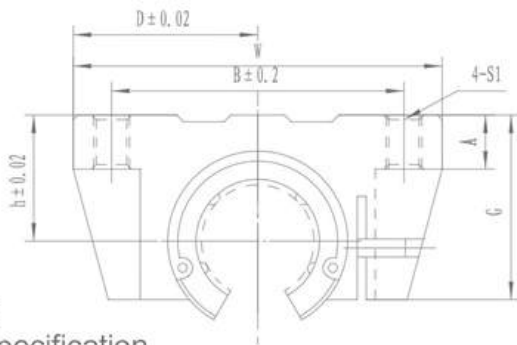
▶ TBR-UU/TBR □ L-UU



TBR-UU



TBR □ L-UU



型号说明 Model Specification

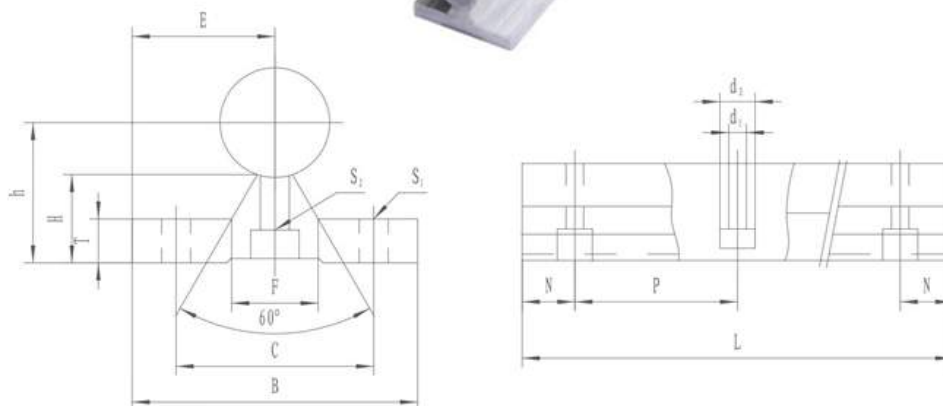
TBR	S	L	UU
铝滑块 Item	标准 Standard	加长 Long	密封 Seals

型号 Part Number	主要尺寸和安装尺寸 Main dimensions and Mounting dimensions (mm)									额定载荷 Basic Load Rating		重量 g Weight
	h	D	L	W	G	A	B	C	S1	动 dyn.c	静 stat.co	
TBR16UU	18	31	42	62	26	8	50	30	M5	392	490	180
TBR20UU	21	34	51	68	31	10	54	37	M6	784	1176	300
TBR25UU	38	41	65	82	41	12	65	50	M8	1568	2352	600
TBR30UU	33.5	45.5	75	91	48	12	75	60	M8	1764	2940	900

型号 Part Number	主要尺寸和安装尺寸 Main dimensions and Mounting dimensions (mm)									额定载荷 Basic Load Rating		重量 g Weight
	h	D	L	W	G	A	B	C	S1	动 dyn.c	静 stat.co	
TBR16LUU	18	31	85	62	26	8	50	60	M5	392	490	180
TBR20LUU	21	34	96	68	31	10	54	70	M6	784	1176	300
TBR25LUU	38	41	130	82	41	12	65	100	M8	1568	2352	600
TBR30LUU	33.5	45.5	140	91	48	12	75	110	M8	1764	2940	900



TBR-C



型号 Part Number	轴径 Shaft Diameter	主要尺寸 Main dimensions(mm)									重量 g Weight
		E	h	B	H	T	F	C	S1	S2	
TBR-C16	Φ16	25	22.14	50	14.96	6	18.71	37	Φ5.5	5.5×9.5×5.4	1.1
TBR-C20	Φ20	27.5	29.01	55	19.37	8	18.96	40	Φ5.5	5.5×9.5×5.4	1.8
TBR-C25	Φ25	32.5	31.97	65	20.14	10	20	45	Φ6.6	6.6×11×6.5	2.05
TBR-C30	Φ30	37.5	36.52	75	22.45	12	22.96	55	Φ6.6	6.6×11×6.5	2.8

导轨支撑的标准长度和尺寸

Support Rail Stand Lengths and Dimensions

型号 Part Number	TBR-C16	TBR-C20	TBR-C25	TBR-C30
标准长度 Standard Length L	190	340	250	450
	240	640	450	850
	640	940	850	1250
	940	1240	1250	1450
N	20	20	25	25
P	150	150	200	200
最大长度 Max .Length	6000	6000	6000	6000

超过最大长度可对接, 请以图纸形式咨询 Exceeds the maximum length need docking, please show the drawing.