



LM-UU
Standard type



LM-AJ-UU
Adjustable type

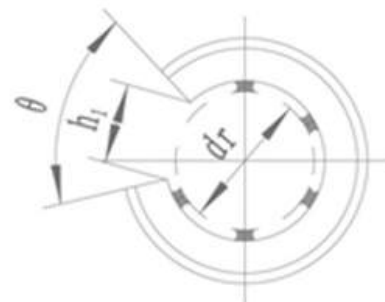
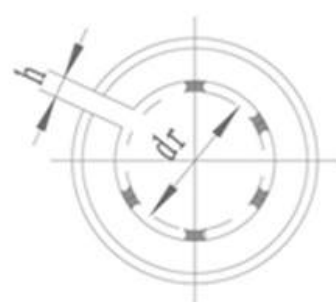
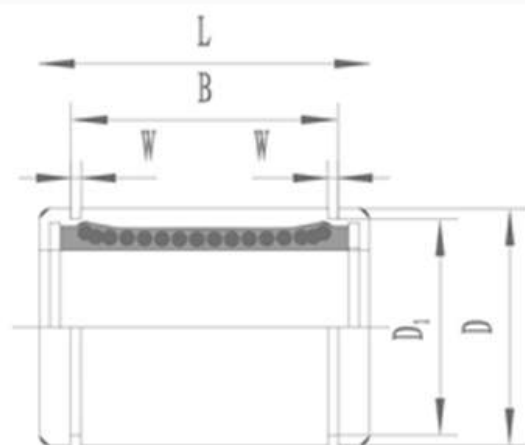


LM-OP-UU
Open type

型号说明 Model Specification

LM	AJ	OP	UU
直线轴承 Item	调隙 Adjustment	大开口 Open	密封 Seals

Nominal shaft diameter (Inch/mm)	Part Number									dr		
	LM	Ball circuit	weight(g)	LM-AJ	ball circuit	weight(g)	LM-OP	Ball circuit	weight(g)	mm	Tolerance(μm)	
											Precision	High
3	LM3-UU	4	1.35	-	-	-	-	-	-	3	0-5	0-8
4	LM4-UU	4	1.9	-	-	-	-	-	-	4	0-5	0-8
5	LM5-UU	4	4	-	-	-	-	-	-	5	0-5	0-8
6	LM6-UU	4	7.6	-	-	-	-	-	-	6	0-6	0-9
8	LM8S-UU	4	10.4	-	-	-	-	-	-	8	0-6	0-9
8	LM8-UU	4	15	-	-	-	-	-	-	8	0-6	0-9
10	LM10-UU	4	29.5	LM10-AJ-UU	4	29	LM10-OP-UU	3	23	10	0-6	0-9
12	LM12-UU	4	31.5	LM12-AJ-UU	4	31	LM12-OP-UU	3	25	12	0-6	0-9
13	LM13-UU	4	43	LM13-AJ-UU	4	42	LM13-OP-UU	3	34	13	0-6	0-9
16	LM16-UU	4	69	LM16-AJ-UU	4	68	LM16-OP-UU	3	52	16	0-6	0-9
20	LM20-UU	5	87	LM20-AJ-UU	5	85	LM20-OP-UU	4	69	20	0-7	0-10
25	LM25-UU	6	220	LM25-AJ-UU	6	216	LM25-OP-UU	5	188	25	0-7	0-10
30	LM30-UU	6	250	LM30-AJ-UU	6	245	LM30-OP-UU	5	210	30	0-7	0-10
35	LM35-UU	6	390	LM35-AJ-UU	6	384	LM35-OP-UU	5	335	35	0-8	0-12
40	LM40-UU	6	585	LM40-AJ-UU	6	579	LM40-OP-UU	5	500	40	0-8	0-12
50	LM50-UU	6	1,580	LM50-AJ-UU	6	1,560	LM50-OP-UU	5	1,340	50	0-8	0-12
60	LM60-UU	6	1,860	LM60-AJ-UU	6	1,820	LM60-OP-UU	5	1,610	60	0-9	0-15
80	LM80-UU	6	4,420	LM80-AJ-UU	6	4,300	LM80-OP-UU	5	3,650	80	0-9	0-15
100	LM100-UU	6	8,600	LM100-AJ-UU	6	8,540	LM100-OP-UU	5	7,200	100	0-10	0-20
120	LM120-UU	8	15,000	LM120-AJ-UU	8	14,900	LM120-OP-UU	6	11,600	120	0-10	0-20
150	LM150-UU	8	20,250	LM150-AJ-UU	8	20,150	LM150-OP-UU	6	15,700	150	0-13	0-25



Major dimensions and tolerance											Eccentricity		Radial clearance(Max) μm	Basic load rating		Nominal shaft diameter (mm)
D		L		B		W	D1	h	h1	θ	Precision (μm)	High (μm)		dynamic (CN)	static (Co N)	
mm	Tolerance (μm)	mm	Tolerance (μm)	mm	Tolerance (μm)	mm	mm	mm	mm							
7	0-9	10	0-120	-	-	-	-	-	-	-	4	8	-3	69	105	3
8	0-9	12	0-120	-	-	-	-	-	-	-	4	8	-3	88	127	4
10	0-9	15	0-120	10.2	0-200	1.1	9.6	-	-	-	4	8	-3	167	206	5
12	0-11	19	0-200	13.5	0-200	1.1	11.5	-	-	-	8	12	-3	206	265	6
15	0-11	17	0-200	11.5	0-200	1.1	14.3	-	-	-	8	12	-3	176	216	8
15	0-11	24	0-200	17.5	0-200	1.1	14.3	-	-	-	8	12	-3	274	392	8
19	0-13	29	0-200	22	0-200	1.3	18	1	6.8	80°	8	12	-4	372	549	10
21	0-13	30	0-200	23	0-200	1.3	20	1.5	8	80°	8	12	-4	510	784	12
23	0-13	32	0-200	23	0-200	1.3	22	1.5	9	80°	8	12	-4	510	784	13
28	0-13	37	0-200	26.5	0-200	1.6	27	1.5	11	80°	8	12	-6	774	1,180	16
32	0-16	42	0-200	30.5	0-200	1.6	30.5	1.5	11	60°	10	15	-6	882	1,370	20
40	0-16	59	0-300	41	0-300	1.85	38	2	12	50°	10	15	-6	980	1,570	25
45	0-16	64	0-300	44.5	0-300	1.85	43	2.5	15	50°	10	15	-8	1,570	2,740	30
52	0-19	70	0-300	49.5	0-300	2.1	49	2.5	17	50°	12	20	-8	1,670	3,140	35
60	0-19	80	0-300	60.5	0-300	2.1	57	3	20	50°	12	20	-10	2,160	4,020	40
80	0-19	100	0-300	74	0-300	2.6	76.5	3	25	50°	12	20	-13	3,820	7,940	50
90	0-22	110	0-300	85	0-300	3.15	86.5	3	30	50°	17	25	-13	4,700	10,000	60
120	0-22	140	0-400	105.5	0-400	4.15	116	3	40	50°	17	25	-20	7,350	16,000	80
150	0-25	175	0-400	125.5	0-400	4.15	145	3	50	50°	20	30	-20	14,100	34,800	100
180	0-25	200	0-400	158.5	0-400	4.15	175	3	85	80°	20	30	-25	16,400	40,000	120
210	0-29	240	0-400	170.6	0-400	5.15	204	3	105	80°	25	40	-25	21,100	54,300	150



LME-UU
Standard type



LME-AJ-UU
Adjustable type

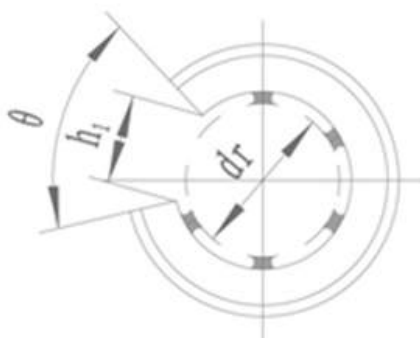
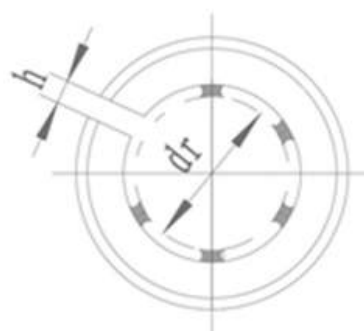
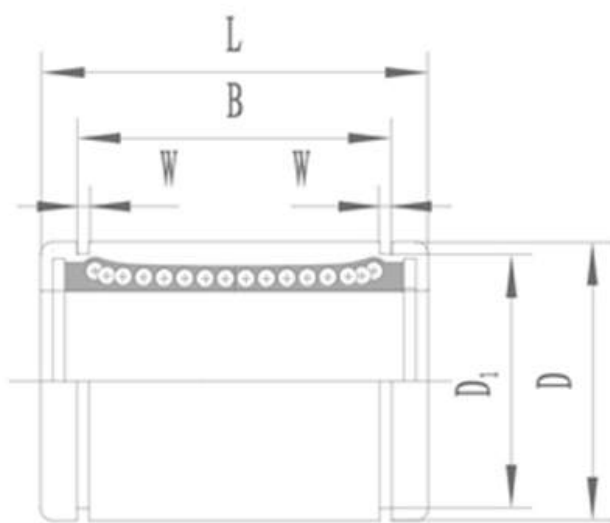


LME-OP-UU
Open type

型号说明 Model Specification

LME	AJ	OP	UU
欧标轴承 Item	调隙 Adjustment	大开口 Open	密封 Seals

Nominal shaft diameter (Inch/mm)	型号 Part Number									dr		
	LME	Ball circuit	weight(g)	LME-AJ	ball circuit	weight(g)	LME-OP	Ball circuit	weight(g)	mm	Tolerance(μ m)	
											Precision	High
5	LME5-UU	4	11	-	-	-	-	-	-	5	-	+8 0
8	LME8-UU	4	20	-	-	-	-	-	-	8	-	+8 0
10	LME10-UU	4	29.5	LME10-AJ-UU	4	29	LME10-OP-UU	3	23	10	-	+8 0
12	LME12-UU	4	41	LME12-AJ-UU	4	40	LME12-OP-UU	3	32	12	-	+8 0
16	LME16-UU	4	57	LME16-AJ-UU	4	56	LME16-OP-UU	3	44	16	-	+9 -1
20	LME20-UU	5	91	LME20-AJ-UU	5	90	LME20-OP-UU	4	75	20	-	+9 -1
25	LME25-UU	6	215	LME25-AJ-UU	6	212	LME25-OP-UU	5	181	25	-	+11 -1
30	LME30-UU	6	325	LME30-AJ-UU	6	320	LME30-OP-UU	5	272	30	-	+11 -1
40	LME40-UU	6	705	LME40-AJ-UU	6	694	LME40-OP-UU	5	600	40	-	+13 -2
50	LME50-UU	6	1,130	LME50-AJ-UU	6	1,110	LME50-OP-UU	5	970	50	-	+13 -2
60	LME60-UU	6	2,050	LME60-AJ-UU	6	2,000	LME60-OP-UU	5	1,580	60	-	+13 -2
80	LME80-UU	6	5,000	LME80-AJ-UU	6	4,860	LME80-OP-UU	5	4,240	80	-	+16 -4

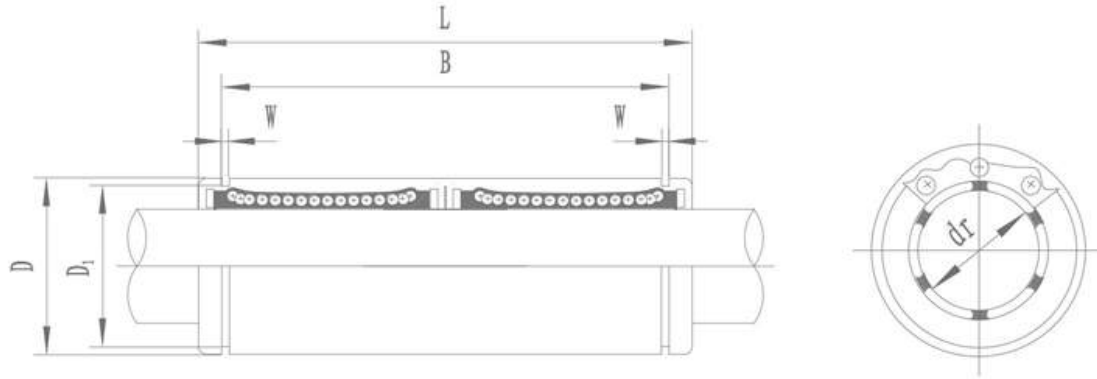


Major dimensions and tolerance

D		L		B		W	D1	h	h1	θ	Eccentricity (μm)	Radial clearance (Max) (μm)	Basic load rating		Nominal shaft diameter (mm)
mm	Tolerance (μm)	mm	Tolerance (μm)	mm	Tolerance (μm)	mm	mm	mm	mm				dynamic (CN)	static (Co N)	
12	0-8	22	0-200	14.5	0-200	1.1	11.5	-	-	-	12	-3	206	265	5
16	0-8	25	0-200	16.5	0-200	1.1	15.2	-	-	-	12	-3	265	402	8
19	0-9	29	0-200	22	0-200	1.3	18	1	6.8	80°	12	-4	372	549	10
22	0-9	32	0-200	22.9	0-200	1.3	21	1.5	7.5	78°	12	-4	510	784	12
26	0-9	36	0-200	24.9	0-200	1.3	24.9	1.5	10	78°	12	-4	578	892	16
32	0-11	45	0-200	31.5	0-200	1.6	30.3	2	10	60°	15	-6	862	1,370	20
40	0-11	58	0-300	44.1	0-300	1.85	37.5	2	12.5	60°	15	-6	980	1,570	25
47	0-11	68	0-300	52.1	0-300	1.85	44.5	2	12.5	50°	15	-8	1,570	2,740	30
62	0-13	80	0-300	60.6	0-300	2.15	59	3	16.8	50°	17	-8	2,160	4,020	40
75	0-13	100	0-300	77.6	0-300	2.65	72	3	21	50°	17	-13	3,820	7,940	50
90	0-15	125	0-400	101.7	0-400	3.15	86.5	3	27.2	54°	20	-13	4,700	9,800	60
120	0-15	165	0-400	133.7	0-400	4.15	116	3	36.3	54°	20	-20	7,350	16,000	80



LM-LUU



型号说明

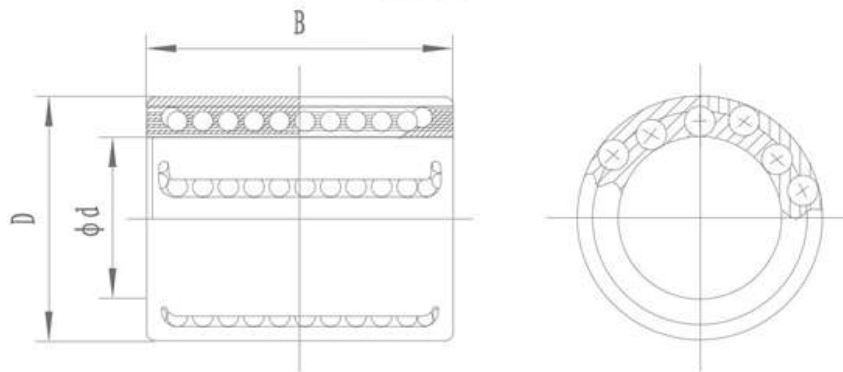
Model Specification

LM	L	UU
直线轴承 Item	加长 Long	密封 Seals

Steel Type	Ball circuit	Major dimensions and tolerance										Eccentricity (μm)	Basic load rating		Nominal shaft diameter (mm)	Nominal shaft diameter (mm)
		dr		D		L		B		W	D1		dynamic (CN)	static (Co N)		
		mm	Tolerance (μm)	mm	Tolerance (μm)	mm	Tolerance (μm)	mm	Tolerance (μm)							
LM6L-UU	4	6	0-10	12	0-13	35	0-300	27	0-300	1.1	11.5	15	323	530	16	6
LM8L-UU	4	8	0-10	15	0-13	45	0-300	35	0-300	1.1	14.3	15	431	784	31	8
LM10L-UU	4	10	0-10	19	0-16	55	0-300	44	0-300	1.3	18	15	588	1,100	62	10
LM12L-UU	4	12	0-10	21	0-16	57	0-300	46	0-300	1.3	20	15	813	1,570	80	12
LM13L-UU	4	13	0-10	23	0-16	61	0-300	46	0-300	1.3	22	15	813	1,570	90	13
LM16L-UU	4	16	0-10	28	0-16	70	0-300	53	0-300	1.6	27	15	1,230	2,350	145	16
LM20L-UU	5	20	0-12	32	0-19	80	0-300	61	0-300	1.6	30.5	20	1,400	2,740	180	20
LM25L-UU	6	25	0-12	40	0-19	112	0-400	82	0-400	1.85	38	20	1,560	3,140	440	25
LM30L-UU	6	30	0-12	45	0-19	123	0-400	89	0-400	1.85	43	20	2,490	5,490	480	30
LM35L-UU	6	35	0-15	52	0-22	135	0-400	99	0-400	2.1	49	25	2,650	6,270	795	35
LM40L-UU	6	40	0-15	60	0-22	151	0-400	121	0-400	2.1	57	25	3,430	8,040	1,170	40
LM50L-UU	6	50	0-15	80	0-22	192	0-400	148	0-400	2.6	76.5	25	6,080	15,900	3,100	50
LM60L-UU	6	60	0-20	90	0-25	209	0-400	170	0-400	3.15	86.5	30	7,550	20,000	3,500	60



KH-PP



型号表示法

Type number format



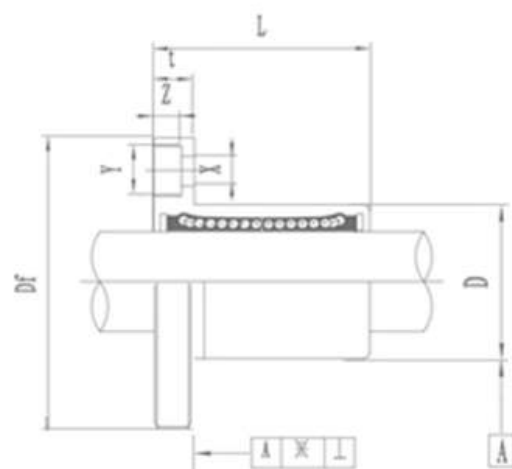
Type	Number of ball rows	Weight (g)	Main dimension (mm)			Basic load rating	
			d	D	b	dynamic (C N)	static (Co N)
KH 0824	KH 0824-PP	11.3	8	15	24	435	280
KH 1026	KH 1026-PP	14.4	10	17	26	500	370
KH 1228	KH 1228-PP	18.1	12	19	28	620	510
KH 1428	KH 1428-PP	20.6	14	21	28	620	520
KH 1630	KH 1630-PP	27.2	16	24	30	800	620
KH 2030	KH 2030-PP	32.7	20	28	30	950	790
KH 2540	KH 2540-PP	66	25	35	40	1990	1670
KH 3050	KH 3050-PP	95	30	40	50	2800	2700
KH 4060	KH 4060-PP	180	40	52	60	4400	4450
KH 5070	KH 5070-PP	250	50	62	70	5500	6300



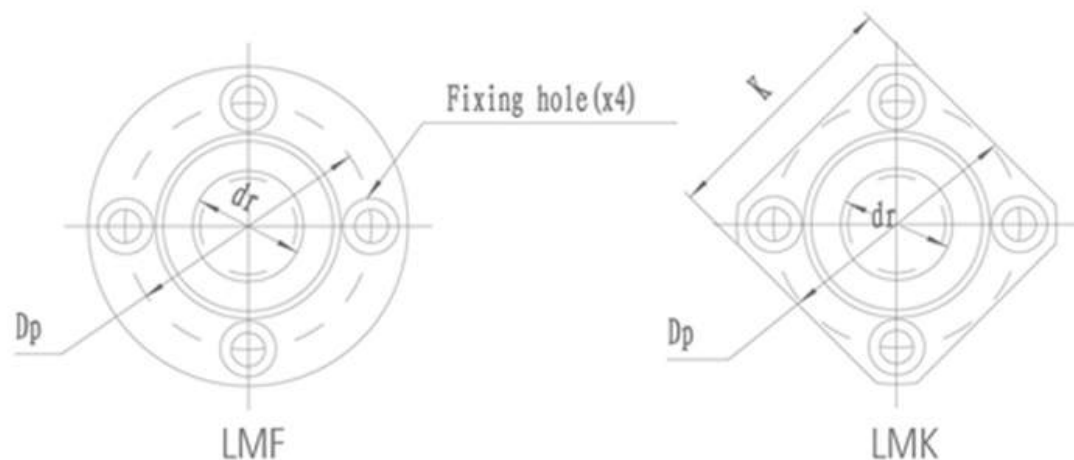
LMF



LMK



Nominal shaft diameter (mm)	Part No.		Weight (g)	Major dimensions and tolerance						
	Steel	Stainless Steel		dr		D		Df	L	
	LMF(K)...UU	LMSF(K)...UU		mm	Tolerance (μm)	mm	Tolerance (μm)	mm	inch mm	Tolerance (μm)
6	LMF 6-UU	LMSF 6-UU	24	6	0-9	12	0-13	28	19	±300
	LMK 6-UU	LMSK 6-UU	18							
8	LMF 8S-UU	LMSF 8S-UU	32	8	0-9	15	0-13	32	17	±300
	LMK 8S-UU	LMSK 8S-UU	24							
8	LMF 8-UU	LMSF 8-UU	37	8	0-9	15	0-13	32	24	±300
	LMK 8-UU	LMSK 8-UU	29							
10	LMF 10-UU	LMSF 10-UU	72	10	0-9	19	0-16	40	29	±300
	LMK 10-UU	LMSK 10-UU	52							
12	LMF 12-UU	LMSF 12-UU	76	12	0-9	21	0-16	42	30	±300
	LMK 12-UU	LMSK 12-UU	57							
13	LMF 13-UU	LMSF 13-UU	88	13	0-9	23	0-16	43	32	±300
	LMK 13-UU	LMSK 13-UU	72							
16	LMF 16-UU	LMSF 16-UU	120	16	0-9	28	0-16	48	37	±300
	LMK 16-UU	LMSK 16-UU	104							
20	LMF 20-UU	LMSF 20-UU	180	20	0-10	32	0-19	54	42	±300
	LMK 20-UU	LMSK 20-UU	145							
25	LMF 25-UU	LMSF 25-UU	340	25	0-10	40	0-19	62	59	±300
	LMK 26-UU	LMSK 25-UU	300							
30	LMF 30-UU	LMSF 30-UU	470	30	0-10	45	0-19	74	64	±300
	LMK 30-UU	LMSK 30-UU	375							
35	LMF 35-UU	LMSF 35-UU	650	35	0-12	52	0-22	82	70	±300
	LMK 35-UU	LMSK 35-UU	560							
40	LMF 40-UU	LMSF 40-UU	1060	40	0-12	60	0-22	96	80	±300
	LMK 40-UU	LMSK 40-UU	880							
50	LMF 50-UU	LMSF 50-UU	2200	50	0-12	80	0-22	116	100	±300
	LMK 50-UU	LMSK 50-UU	2000							
60	LMF 60-UU	LMSF 60-UU	3000	60	0-15	90	0-25	134	110	±300
	LMK 60-UU	LMSK 60-UU	2560							
80	LMF 80-UU	-	5800	80	0-15	120	0-25	164	140	±300
	LMK 80-UU	-	5300							
100	LMF 100-UU	-	10600	100	0-20	150	0-29	200	175	±300
	LMK 100-UU	-	9900							



Part No.		Major dimensions and tolerance						Eccentricity (μm)	Squareness (μm)	Basic load rating		Nominal shaft diameter (mm)
Steel	Stainless Steel	Flange								dynamic (C N)	static (Co N)	
LMF(K)...UU	LMSF(K)...UU	K mm	t mm	Dp mm	X mm	Y mm	Z mm					
LMF 6-UU LMK 6-UU	LMSF 6-UU LMSK 6-UU	22	5	20	3.5	6	3.1	12	12	206	265	6
LMF 8S-UU LMK 8S-UU	LMSF 8S-UU LMSK 8S-UU	25	5	24	3.5	6	3.1	12	12	176	216	8
LMF 8-UU LMK 8-UU	LMSF 8-UU LMSK 8-UU	25	5	24	3.5	6	3.1	12	12	274	392	8
LMF 10-UU LMK 10-UU	LMSF 10-UU LMSK 10-UU	30	6	29	4.5	7.5	4.1	12	12	372	549	10
LMF 12-UU LMK 12-UU	LMSF 12-UU LMSK 12-UU	32	6	32	4.5	7.5	4.1	12	12	510	784	12
LMF 13-UU LMK 13-UU	LMSF 13-UU LMSK 13-UU	34	6	33	4.5	7.5	4.1	12	12	510	784	13
LMF 16-UU LMK 16-UU	LMSF 16-UU LMSK 16-UU	37	6	38	4.5	7.5	4.1	12	12	774	1180	16
LMF 20-UU LMK 20-UU	LMSF 20-UU LMSK 20-UU	42	8	43	5.5	9	5.1	15	15	882	1370	20
LMF 25-UU LMK 26-UU	LMSF 25-UU LMSK 25-UU	50	8	51	5.5	9	5.1	15	15	980	1570	25
LMF 30-UU LMK 30-UU	LMSF 30-UU LMSK 30-UU	58	10	60	6.6	11	6.1	15	15	1570	2740	30
LMF 35-UU LMK 35-UU	LMSF 35-UU LMSK 35-UU	64	10	67	6.6	11	6.1	20	20	1670	3140	35
LMF 40-UU LMK 40-UU	LMSF 40-UU LMSK 40-UU	75	13	78	9	14	8.1	20	20	2160	4020	40
LMF 50-UU LMK 50-UU	LMSF 50-UU LMSK 50-UU	92	13	98	9	14	8.1	20	20	3820	7940	50
LMF 60-UU LMK 60-UU	LMSF 60-UU LMSK 60-UU	106	18	112	11	17	11.1	25	25	4700	10000	60
LMF 80-UU LMK 80-UU	-	136	18	142	11	17	11.1	25	25	7350	16000	80
LMF 100-UU LMK 100-UU	-	170	20	175	14	20	13.1	30	30	14100	34800	100



LMH

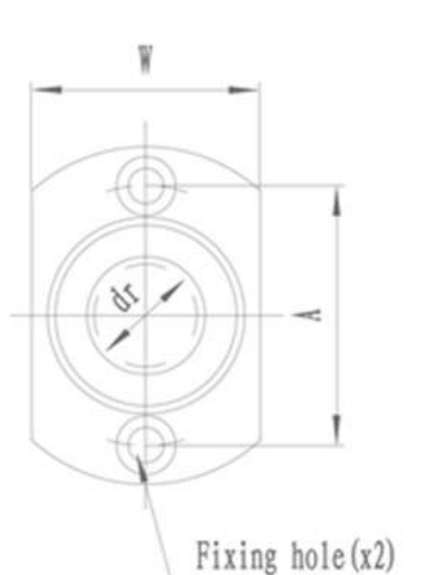
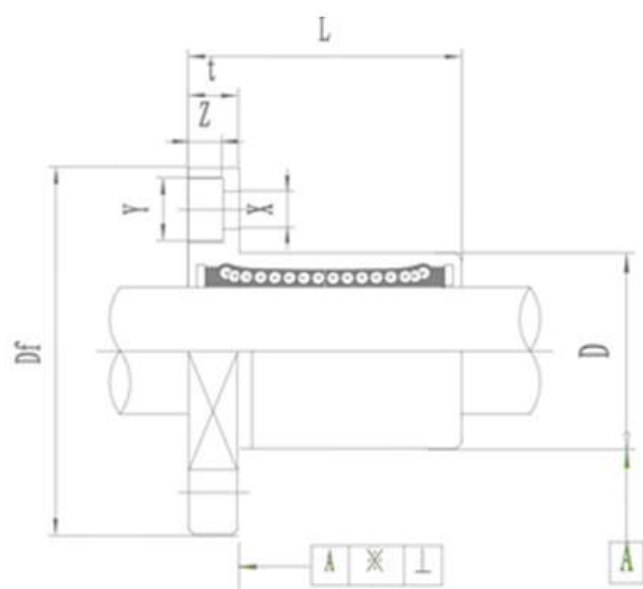


LMSH

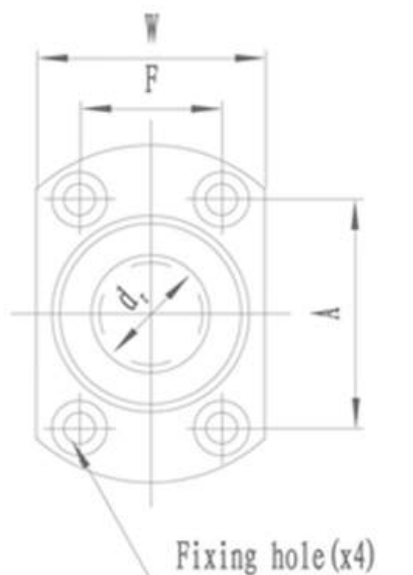
This type is a metric dimension series widely used in Japan and other countries.

Nominal shaft diameter (mm)	Part No.		Weight (g)	Major dimensions and tolerance						
	Steel	Stainless Steel		dr		D		Df	L	
	LMH...UU	LMSH...UU		mm	Tolerance (μm)	mm	Tolerance (μm)	mm	inch mm	Tolerance (μm)
6	LMH 6-UU	LMSH 6-UU	21	6	0-9	12	0-13	28	19	±300
8	LMH 8-UU	LMSH 8-UU	33	8	0-9	15	0-13	32	24	±300
10	LMH 10-UU	LMSH 10-UU	64	10	0-9	19	0-16	40	29	±300
12	LMH 12-UU	LMSH 12-UU	68	12	0-9	21	0-16	42	30	±300
13	LMH 13-UU	LMSH 13-UU	81	13	0-9	23	0-16	43	32	±300
16	LMH 16-UU	LMSH 16-UU	112	16	0-9	28	0-16	48	37	±300
20	LMH 20-UU	LMSH 20-UU	167	20	0-10	32	0-19	54	42	±300
25	LMH 25-UU	LMSH 25-UU	325	25	0-10	40	0-19	62	59	±300
30	LMH 30-UU	LMSH 30-UU	388	30	0-10	45	0-19	74	64	±300

Note: All sizes of SDMh type are sealed on both sides.



LMH 13 or less



LMH 16 or more

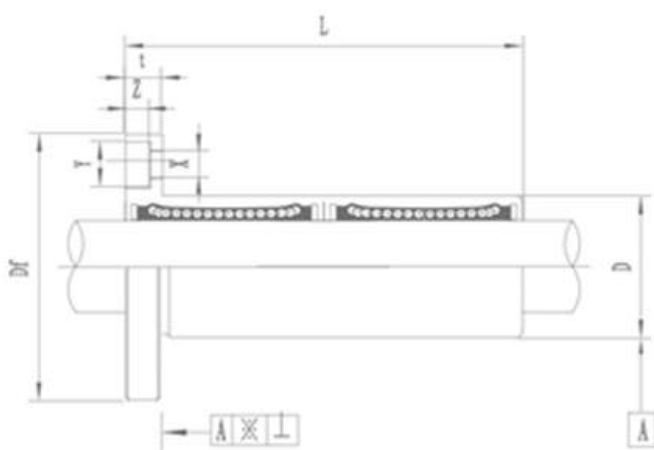
Part No.		Major dimensions and tolerance							Eccentricity (μm)	Squareness (μm)	Basic load rating		Nominal shaft diameter (mm)
Steel	Stainless Steel	Flange									dynamic (C N)	static (Co N)	
LMH...UU	LMSH...UU	W mm	t mm	A mm	F mm	X mm	Y mm	Z mm					
LMH 6-UU	LMSH 6-UU	18	5	20	-	3.5	6	3.1	12	12	206	265	6
LMH 8-UU	LMSH 8-UU	21	5	24	-	3.5	6	3.1	12	12	274	392	8
LMH 10-UU	LMSH 10-UU	25	6	29	-	4.5	7.5	4.1	12	12	372	549	10
LMH 12-UU	LMSH 12-UU	27	6	32	-	4.5	7.5	4.1	12	12	510	784	12
LMH 13-UU	LMSH 13-UU	29	6	33	-	4.5	7.5	4.1	12	12	510	784	13
LMH 16-UU	LMSH 16-UU	34	6	31	22	4.5	7.5	4.1	12	12	774	1180	16
LMH 20-UU	LMSH 20-UU	38	8	36	24	5.5	9	5.1	15	15	882	1370	20
LMH 25-UU	LMSH 25-UU	46	8	40	32	5.5	9	5.1	15	15	980	1570	25
LMH 30-UU	LMSH 30-UU	51	10	49	35	6.6	11	6.1	15	15	1570	2740	30



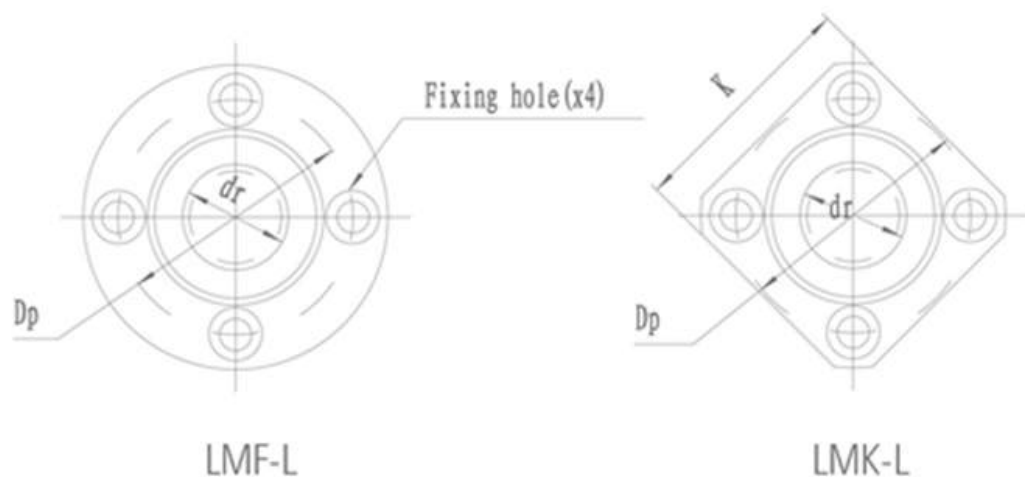
LMF-L



LMK-L



Nominal shaft diameter (mm)	Part No.		Weight (g)	Major dimensions and tolerance						
	Steel	Stainless Steel		dr		D		Df	L	
	LMF(K)...LUU	LMSF(K)...LUU		mm	Tolerance (μm)	mm	Tolerance (μm)	mm	inch mm	Tolerance (μm)
6	LMF 6L-UU LMK 6L-UU	LMSF 6L-UU LMSK 6L-UU	31 25	6	0-10	12	0-13	28	35	±300
8	LMF 8L-UU LMK 8L-UU	LMSF 8L-UU LMSK 8L-UU	51 43	8	0-10	15	0-13	32	45	±300
10	LMF 10L-UU LMK 10L-UU	LMSF 10L-UU LMSK 10L-UU	98 78	10	0-10	19	0-16	40	55	±300
12	LMF 12L-UU LMK 12L-UU	LMSF 12L-UU LMSK 12L-UU	110 90	12	0-10	21	0-16	42	57	±300
13	LMF 13L-UU LMK 13L-UU	LMSF 13L-UU LMSK 13L-UU	130 108	13	0-10	23	0-16	43	61	±300
16	LMF 16L-UU LMK 16L-UU	LMSF 16L-UU LMSK 16L-UU	190 165	16	0-10	28	0-16	48	70	±300
20	LMF 20L-UU LMK 20L-UU	LMSF 20L-UU LMSK 20L-UU	260 225	20	0-12	32	0-19	54	80	±300
25	LMF 25LUU LMK 26LUU	LMSF 25L-UU LMSK 25L-UU	540 500	25	0-12	40	0-19	62	112	±300
30	LMF 30L-UU LMK 30L-UU	LMSF 30L-UU LMSK 30L-UU	680 590	30	0-12	45	0-19	74	123	±300
35	LMF 35L-UU LMK 35L-UU	LMSF 35L-UU LMSK 35L-UU	1020 930	35	0-15	52	0-22	82	135	±300
40	LMF 40LUU LMK 40LUU	LMSF 40L-UU LMSK 40L-UU	1570 1380	40	0-15	60	0-22	96	151	±300
50	LMF 50L-UU LMK 50L-UU	LMSF 50L-UU LMSK 50L-UU	3600 3400	50	0-15	80	0-22	116	192	±300
60	LMF 60L-UU LMK 60L-UU	LMSF 60L-UU LMSK 60L-UU	4500 4060	60	0-20	90	0-25	134	209	±300



Part No.		Major dimensions and tolerance						Eccentricity (μm)	Squareness (μm)	Basic load rating		Nominal shaft diameter (mm)
Steel	Stainless Steel	Flange				dynamic (C N)	static (Co N)					
LMF(K)...LUU	LMSF(K)...LUU	K mm	t mm	Dp mm	X mm			Y mm	Z mm			
LMF 6L-UU LMK 6L-UU	LMSF 6L-UU LMSK 6L-UU	22	5	20	3.5	6	3.1	15	15	323	529	6
LMF 8L-UU LMK 8L-UU	LMSF 8L-UU LMSK 8L-UU	25	5	24	3.5	6	3.1	15	15	431	784	8
LMF 10L-UU LMK 10L-UU	LMSF 10L-UU LMSK 10L-UU	30	6	29	4.5	7.5	4.1	15	15	588	1100	10
LMF 12L-UU LMK 12L-UU	LMSF 12L-UU LMSK 12L-UU	32	6	32	4.5	7.5	4.1	15	15	813	1570	12
LMF 13L-UU LMK 13L-UU	LMSF 13L-UU LMSK 13L-UU	34	6	33	4.5	7.5	4.1	15	15	813	1570	13
LMF 16L-UU LMK 16L-UU	LMSF 16L-UU LMSK 16L-UU	37	6	38	4.5	7.5	4.1	15	15	1230	2350	16
LMF 20L-UU LMK 20L-UU	LMSF 20L-UU LMSK 20L-UU	42	8	43	5.5	9	5.1	20	20	1400	2740	20
LMF 25L-UU LMK 26L-UU	LMSF 25L-UU LMSK 25L-UU	50	8	51	5.5	9	5.1	20	20	1560	3140	25
LMF 30L-UU LMK 30L-UU	LMSF 30L-UU LMSK 30L-UU	58	10	60	6.6	11	6.1	20	20	2490	5490	30
LMF 35L-UU LMK 35L-UU	LMSF 35L-UU LMSK 35L-UU	64	10	67	6.6	11	6.1	25	25	2650	6270	35
LMF 40L-UU LMK 40L-UU	LMSF 40L-UU LMSK 40L-UU	75	13	78	9	14	8.1	25	25	3430	8040	40
LMF 50L-UU LMK 50L-UU	LMSF 50L-UU LMSK 50L-UU	92	13	98	9	14	8.1	25	25	6080	15900	50
LMF 60L-UU LMK 60L-UU	LMSF 60L-UU LMSK 60L-UU	106	18	112	11	17	11.1	30	30	7550	20000	60



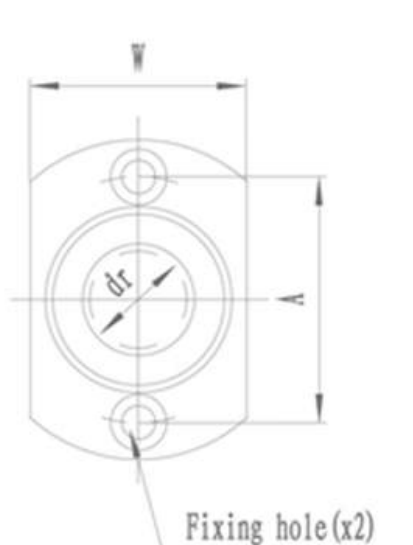
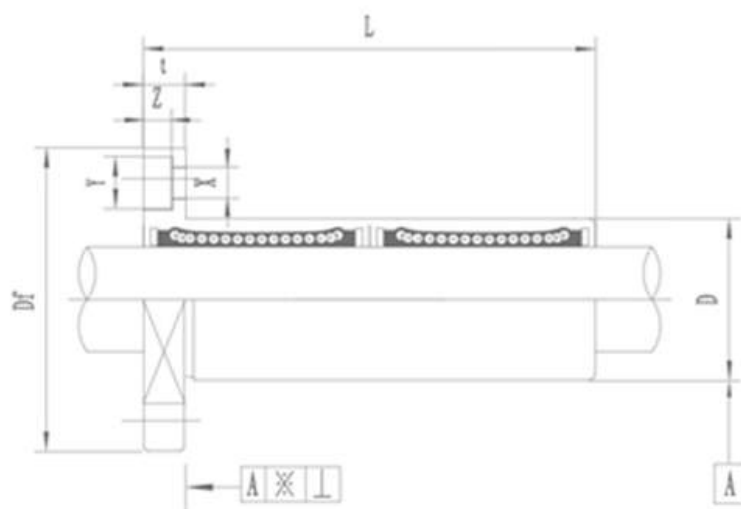
LMH-L



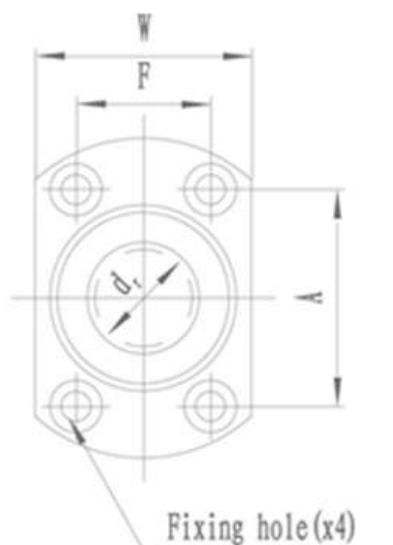
LMSH-L

Nominal shaft diameter (mm)	Part No.		Weight (g)	Major dimensions and tolerance						
	Steel	Stainless Steel		dr		D		Df	L	
	LMH...LUU	LMSH...LUU		mm	Tolerance (μm)	mm	Tolerance (μm)	mm	inch mm	Tolerance (μm)
6	LMH 6L-UU	LMSH 6L-UU	28	6	0-10	12	0-13	28	35	± 300
8	LMH 8L-UU	LMSH 8L-UU	47	8	0-10	15	0-13	32	45	± 300
10	LMH 10L-UU	LMSH 10L-UU	90	10	0-10	19	0-16	40	55	± 300
12	LMH 12L-UU	LMSH 12L-UU	102	12	0-10	21	0-16	42	57	± 300
13	LMH 13L-UU	LMSH 13L-UU	123	13	0-10	23	0-16	43	61	± 300
16	LMH 16L-UU	LMSH 16L-UU	182	16	0-10	28	0-16	48	70	± 300
20	LMH 20L-UU	LMSH 20L-UU	247	20	0-12	32	0-19	54	80	± 300
25	LMH 25L-UU	LMSH 25L-UU	525	25	0-12	40	0-19	62	112	± 300
30	LMH 30L-UU	LMSH 30L-UU	645	30	0-12	45	0-19	74	125	± 300

Note: All sizes of LMH type are sealed on both sides.



LMH 13 or less



LMH 16 or more

Part No.		Major dimensions and tolerance							Eccentricity (μm)	Squareness (μm)	Basic load rating		Nominal shaft diameter (mm)
Steel	Stainless Steel	Flange									dynamic (C N)	static (Co N)	
LMH...LUU	LMSH...LUU	W mm	t mm	A mm	F mm	X mm	Y mm	Z mm					
LMH 6L-UU	LMSH 6L-UU	18	5	20	-	3.5	6	3.1	15	15	323	529	6
LMH 8L-UU	LMSH 8L-UU	21	5	24	-	3.5	6	3.1	15	15	431	784	8
LMH 10L-UU	LMSH 10L-UU	25	6	29	-	4.5	7.5	4.1	15	15	588	1100	10
LMH 12L-UU	LMSH 12L-UU	27	6	32	-	4.5	7.5	4.1	15	15	813	1570	12
LMH 13L-UU	LMSH 13L-UU	29	6	33	-	4.5	7.5	4.1	15	15	813	1570	13
LMH 16L-UU	LMSH 16L-UU	34	6	31	22	4.5	7.5	4.1	15	15	1230	2350	16
LMH 20L-UU	LMSH 20L-UU	38	8	36	24	5.5	9	5.1	20	20	1400	2740	20
LMH 25L-UU	LMSH 25L-UU	46	8	40	32	5.5	9	5.1	20	20	1560	3140	25
LMH 30L-UU	LMSH 30L-UU	51	10	49	35	6.6	11	6.1	20	20	2490	5490	30