



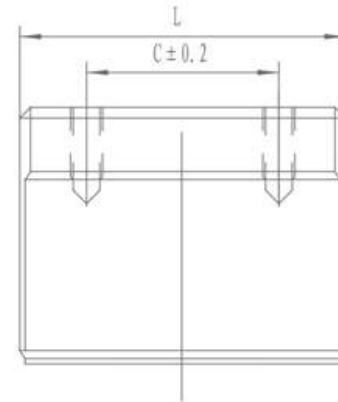
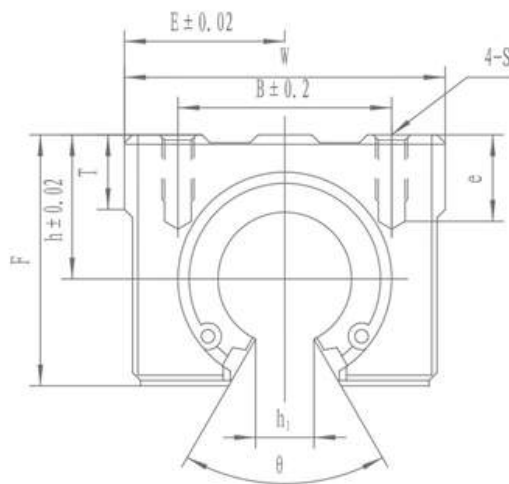
## ▶ SBR □ S-UU/SBR □ S-PP-UU



SBR □ S-UU



SBR □ S-PP-UU



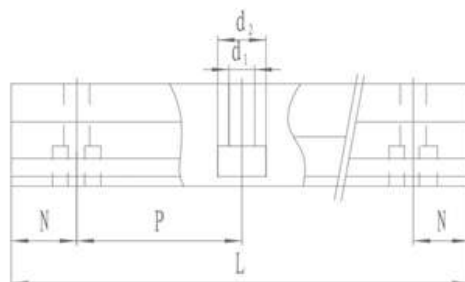
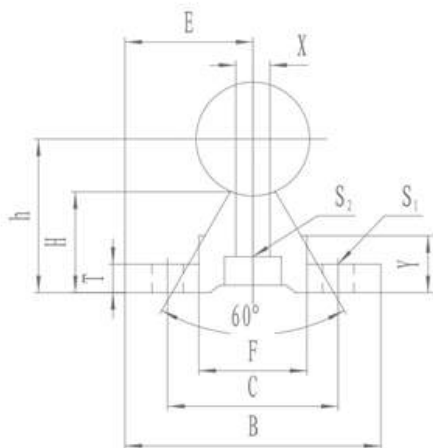
### 型号说明 Model Specification

<b>SBR</b>	<b>S</b>	<b>L</b>	<b>PP</b>	<b>UU</b>
铝滑块 Item	标准 Standard	加长 Long	压板 Plates	密封 Seals

型号 Part Number	轴径 Shaft Diameter	主要尺寸 Main dimensions(mm)											额定载荷 Basic Load Rating		重量 g Weight		
		h	E	W	L	F	T	H1	θ	B	C	S	e	动 dyn.c		静 stat.co	
SBR10S-UU	SBR10S-PP-UU	10	15	18	36	32	24	7	6	80°	25	20	M5	10	372	549	65
SBR12S-UU	SBR12S-PP-UU	12	17	20	40	39	27.6	8	8.5	80°	28	26	M5	10	500	770	100
SBR13S-UU	SBR13S-PP-UU	13	17	20	40	39	27.6	8	8.5	80°	28	26	M5	10	510	784	100
SBR16S-UU	SBR16S-PP-UU	16	20	22.5	45	45	33	9	10	80°	32	30	M5	12	774	1180	150
SBR20S-UU	SBR20S-PP-UU	20	23	24	48	50	39	11	10	60°	35	35	M6	12	882	1370	200
SBR25S-UU	SBR25S-PP-UU	25	27	30	60	65	47	14	11.5	50°	40	40	M6	12	980	1570	450
SBR30S-UU	SBR30S-PP-UU	30	33	35	70	70	56	15	14	50°	50	50	M8	18	1570	2740	630
SBR35S-UU	SBR35S-PP-UU	35	37	40	80	80	63	18	16	50°	55	55	M8	18	1670	3140	920
SBR40S-UU	SBR40S-PP-UU	40	42	45	90	90	72	20	19	50°	65	65	M10	20	2160	4020	1330
SBR50S-UU	SBR50S-PP-UU	50	53	60	120	110	92	25	23	50°	94	80	M10	20	3820	7940	3000



## SBR-C



型号 Part Number	轴径 Shaft Diameter	主要尺寸 Main dimensions(mm)											重量 g Weight
		E	h	B	H	T	F	X	Y	C	S1	S2 d1×d2×i	
SBR-C10	Φ10	16	18	32	13	4	12.5	4.7	8.5	22	Φ4.5	5×9×5	0.54
SBR-C12G	Φ12	15	22.5	30	17	4	12	4.7	12	22	Φ4.5	5×9×5	0.7
SBR-C12	Φ12	16	19	32	13	4	12.5	4.7	8.5	22	Φ4.5	5×9×5	0.7
SBR-C13	Φ13	16	19.5	32	13	4	12.5	4.7	8.5	22	Φ4.5	5×9×5	0.72
SBR-C16	Φ16	20	25	40	17.8	5	18.5	8	11.7	30	Φ5.5	5.5×9.5×5.4	1.0
SBR-C20	Φ20	22.5	27	45	17.7	5	19	8	10	30	Φ5.5	5.5×9.5×5.4	1.07
SBR-C25	Φ25	27.5	33	55	21	6	21.5	8	12	35	Φ6.6	6.6×11×6.5	1.5
SBR-C30	Φ30	30	37	60	22.8	7	26.5	10.3	13	40	Φ6.6	6.6×11×6.5	1.9
SBR-C35	Φ35	32.5	43	65	26.5	8	28	13	15.5	45	Φ9	9×14×8.6	2.45
SBR-C40	Φ40	37.5	48	75	29.5	9	38	15.5	17	55	Φ9	9×14×8.6	3.25
SBR-C50	Φ50	47.5	62	95	38.8	11	45	20	21	70	Φ11	11×17.5×10.8	5.26

### 导轨支撑的标准长度和尺寸

### Support Rail Stand Lengths and Dimensions

型号 Part Number	SBR-C10	SBR-C12	SBR-C13	SBR-C16	SBR-C20	SBR-C25	SBR-C30	SBR-C35	SBR-C40	SBR-C50
标准长度 Standard Length L	140	140	140	190	340	250	450	460	460	470
	240	240	240	340	640	450	850	660	660	670
	-	-	-	-	-	-	-	-	860	870
	340	340	340	640	940	850	1250	860	1060	1070
	440	440	440	940	1240	1250	1450	1060	1260	1270
N	20	20	20	20	20	25	25	30	30	35
P	100	100	100	150	150	200	200	200	200	200
最大长度 Max .Length	5000	5000	5000	6000	6000	6000	6000	6000	6000	6000

超过最大长度可对接, 请以图纸形式咨询 Exceeds the maximum length need docking, please show the drawing.



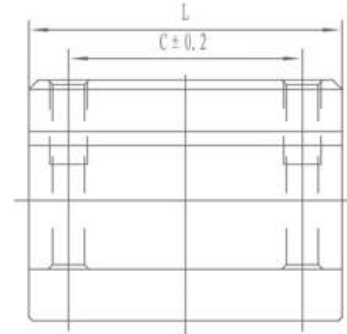
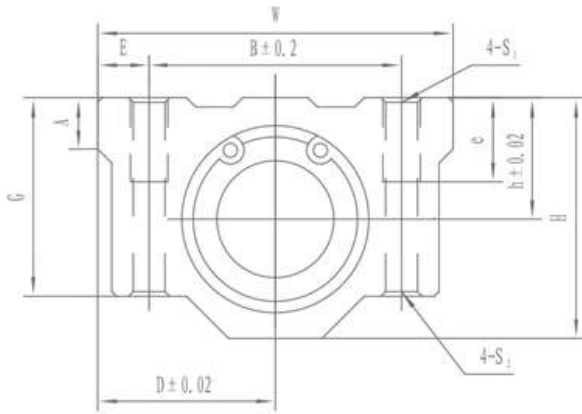
## ▶ SC □ S-UU/SC □ SAJ-UU



SC □ S-UU



SC □ S-AJ-UU



### 型号说明 Model Specification

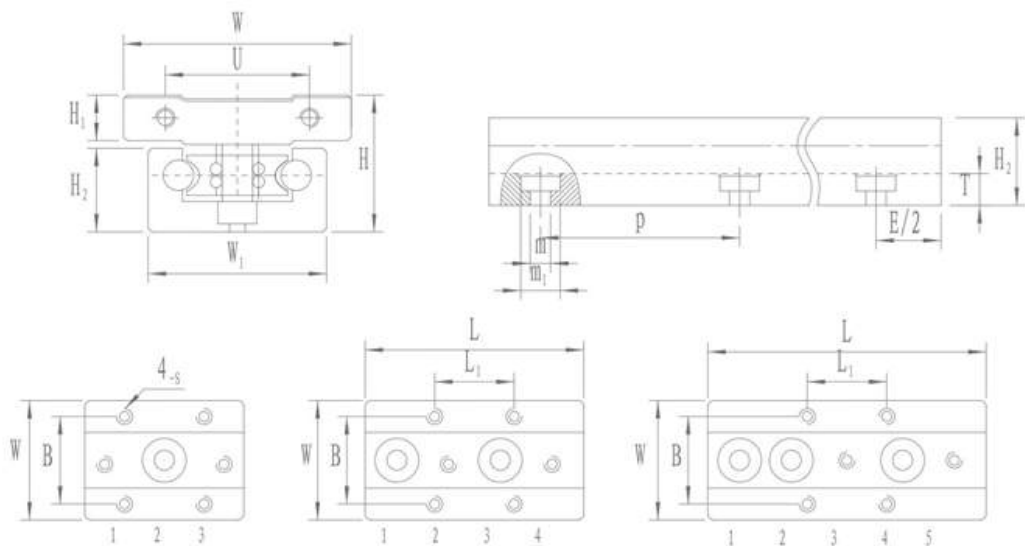
<b>SC</b>	<b>V</b>	<b>S</b>	<b>L</b>	<b>AJ</b>	<b>UU</b>
铝滑块 Item	短型 Short	标准 Standard	加长 Long	调隙 Adjustment	密封 Seals

型号 Part Number	主要尺寸和安装尺寸 Main dimensions and Mounting dimensions (mm)												额定载荷 Basic Load Rating		重量 g Weight	
	h	D	L	W	H	G	A	E	B	C	S1×e	S2	动 dyn.c	静 stat.c0		
SC6S-UU	SC6S-AJ-UU	9	15	25	30	18	15	6	5	20	15	M4×8	3.4	206	265	34
SC8S-UU	SC8S-AJ-UU	11	17	30	34	22	18	6	5	24	18	M4×8	3.4	274	392	52
SC10S-UU	SC10S-AJ-UU	13	20	35	40	26	21	8	6	28	21	M5×12	4.3	372	549	92
SC12S-UU	SC12S-AJ-UU	15	21	36	42	28	24	8	5.75	30.5	26	M5×12	4.3	510	784	102
SC13S-UU	SC13S-AJ-UU	15	22	39	44	30	24.5	8	5.5	33	26	M5×12	4.3	510	784	120
SC16S-UU	SC16S-AJ-UU	19	25	44	50	38.5	32.5	9	7	36	34	M5×12	4.3	774	1180	200
SC20S-UU	SC20S-AJ-UU	21	27	50	54	41	35	11	7	40	40	M6×12	5.2	882	1370	255
SC25S-UU	SC25S-AJ-UU	26	38	67	76	51.5	42	12	11	54	50	M8×18	7	980	1570	600
SC30S-UU	SC30S-AJ-UU	30	39	72	78	59.5	49	15	10	58	58	M8×18	7	1574	2740	735
SC35S-UU	SC35S-AJ-UU	34	45	80	90	68	54	18	10	70	60	M8×18	7	1670	3140	1100
SC40S-UU	SC40S-AJ-UU	40	51	90	102	78	62	20	11	80	60	M10×25	8.7	2160	4020	1590
SC50S-UU	SC50S-AJ-UU	52	61	110	122	102	80	25	11	100	80	M10×25	8.7	3820	7940	3340
SC60S-UU	SC60S-AJ-UU	58	66	122	132	114	94	30	12	108	90	M12×25	10.7	6500	13000	4270





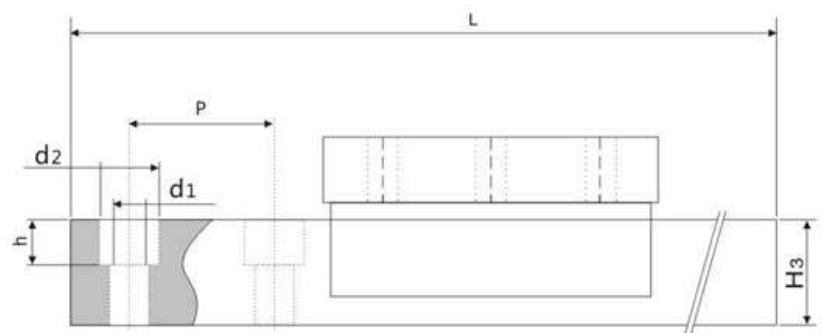
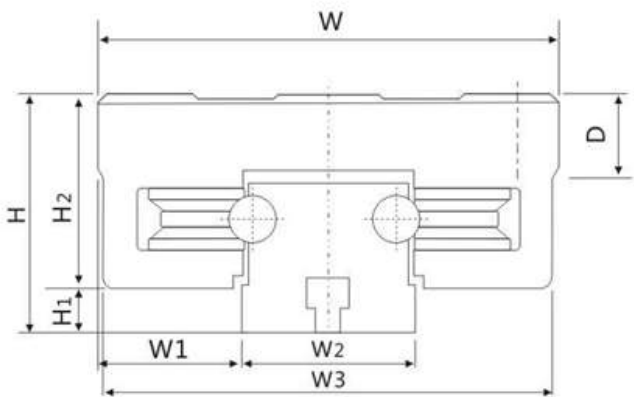
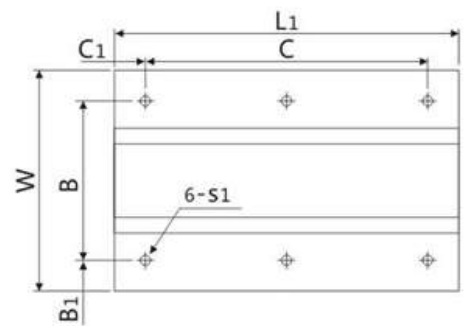
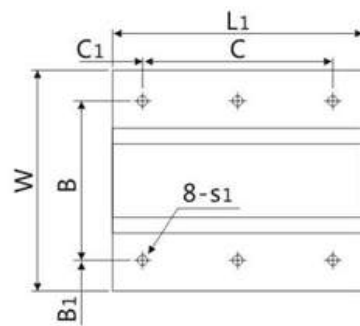
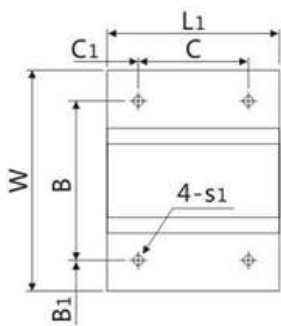
## SGR SGB



SG		全套		导轨 SGR								滑座 SGB										重量 (gf/m)					
SGR	SGB	H	W	W1	H2	dp	P	轴	重量 (kg/m)	T	m1	m	W	H1	L	B	L1	S	滑轮 数量	偏心 轮 位置	基本动力 安全负荷		动力矩 (N.m)				
																					Yo		Zo				
15N	-3														60					490	2	490	460	10.2	9.2	9.8	110
15N	-4	32	38	38	18.5	6	120	6	1.651	8	8	4.5	44	12	80	26	26	M5	700	1.3	700	660	14.5	13.2	14	145	
15N	-5													100					980	1,1,4	980	920	20.3	37	39	185	
15	-3													52					490	2	490	460	13.8	74	7.8	105	
15	-4	32	46	46	18.5	6	120	6	1.784	8	8	4.5	46	12	72	32	36	M5	700	1.3	700	660	19.8	21.1	22.4	140	
15	-5													84					980	1,1,4	980	920	27.4	44.3	47	170	
20N	-3													80					700	2	700	980	29.4	25.4	18.2	195	
20N	-4	36	47	47	22.5	6	120	6	2.247	9	9.5	5.5	47	12	103	38	30	M6	1000	1.3	1000	1400	42	72.8	52	265	
20N	-5													132					1400	1,1,4	1400	1960	84.2	129	92.4	350	
20	-3													72					700	2	700	980	42.1	21.5	15.4	210	
20	-4	36	60	60	22.5	6	120	8	2.247	9	9.5	5.5	60	12	100	50	40	M6	1000	1.3	1000	1400	60.2	61.6	44	280	
20	-5													116					1400	1,1,4	1400	1960	84.2	129	92.4	350	
25	-3													100					1260	2	1260	1470	67.62	48.51	41.58	460	
25	-4	44	69	69	26	7	120	10	3.873	10	11	6.5	70	16.3	133	57	45	M8	1800	1.3	1800	2100	96.6	138.6	118.8	615	
25	-5													166					2520	1,1,4	2520	2940	135	291.06	249.48	775	
35	-3													140					2800	2	2800	2800	159.6	126	128	1100	
35	-4	45	90	90	35	8.5	160	12	6.442	12	14	8.5	100	18	185	82	62	M10	4000	1.3	4000	4000	228	360	360	1450	
35	-5													230					5600	1,1,4	5600	5600	319.2	758	756	1835	



## Rectangle wheel linear rail accessories LGD



型号	轴径	组合尺寸			滑块尺寸									导轨尺寸						基本动力安全负荷	基本静力安全负荷	重量 (gf/m)		
		H	H1	W1	W	W3	H2	D	L1	B	B1	C	C1	S1	H3	W2	d1	d2	h				P	L <sub>max</sub>
LGD-12	12	39	3	22	82	80	35	12	60	54	14	40	10	M6X12	25	36	6.5	12.5	8	50	6000	140	230	3.1
									100			76	8									180	290	
									140			116												
LGD-6	6	29	3	16	60	58	26	12	60	38	11	40	10	M5X8	18	26	5.5	9.5	6.5	60	4000	100	130	1.25
LGD-8	8	30	3	15	60	58	26	12	70	40	10	50	10	M5X8 M6X12	20	28	5.5	9.5	6.5	50 60	4000	120	200	2.3
									100			80												