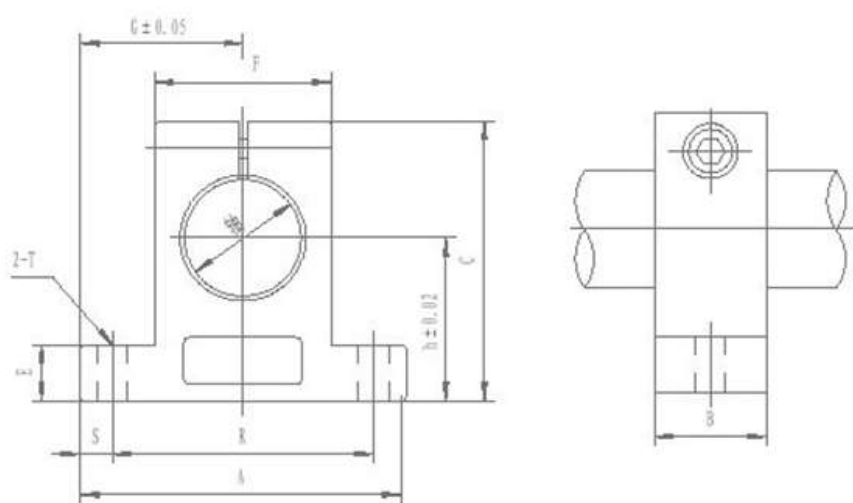




SK



SK



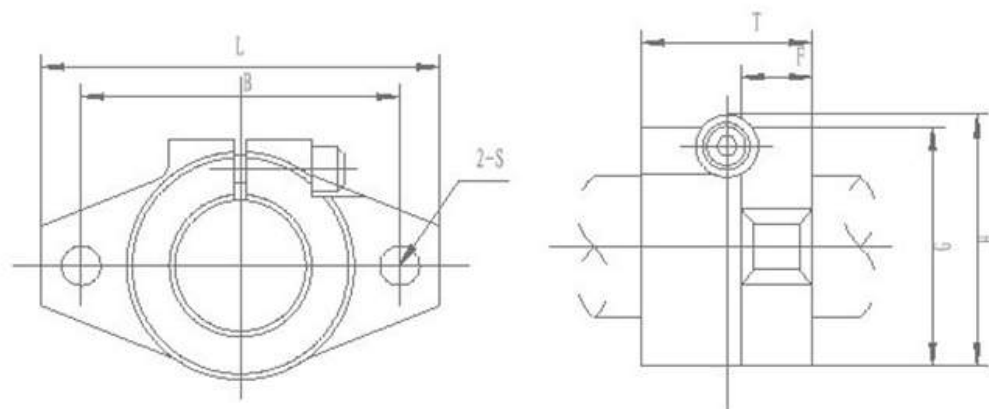
型号 Part Number	轴径 Shaft Diameter	主要尺寸 Main dimensions(mm)										锁紧螺栓 Clamping bolt designation	安装螺栓 Mounting bolt designation	重量 g Weight
		h	G	A	B	C	E	F	S	R	T			
SK-8	8	20	21	42	14	32.8	6	18	5	32	5.5	M4	M5	24
SK-10	10	20	21	42	14	32.8	6	18	5	32	5.5	M4	M5	24
SK-12	12	23	21	42	14	37.5	6	20	5	32	5.5	M4	M5	30
SK-13	13	23	21	42	14	37.5	6	20	5	32	5.5	M4	M5	30
SK-16	16	27	24	48	16	44	8	25	5	38	5.5	M4	M5	40
SK-20	20	31	30	60	20	51	10	30	7.5	45	6.6	M5	M6	70
SK-25	25	35	35	70	24	60	12	38	7	56	6.6	M6	M6	130
SK-30	30	42	42	84	28	70	12	44	10	64	9	M6	M8	180
SK-35	35	50	49	98	32	82	15	50	12	74	11	M8	M10	270
SK-40	40	60	57	114	36	96	15	60	12	90	11	M8	M10	420
SK-50	50	70	63	126	40	120	18	74	13	100	14	M12	M12	750
SK-60	60	80	74	148	45	136	18	90	14	120	14	M12	M12	1100



SHF



SHF



型号 Part Number		主要尺寸和安装尺寸 Main dimensions and Mounting dimensions (mm)							锁紧螺栓 Clamping bolt designation	安装螺栓 Mounting bolt designation	重量 g Weight
密封型 Seal Type	轴径 Shaft Diameter	L	T	F	H	G	B	2S			
SHF-8	8	43	10	-	24	-	32	5.5	M5	M4	13
SHF-10	10	43	10	-	24	-	32	5.5	M5	M4	13
SHF-12	12	47	13	7	28	25	36	5.5	M5	M4	20
SHF-13	13	47	13	7	28	25	36	5.5	M5	M4	20
SHF-16	16	50	16	8	31	28	40	5.5	M5	M4	27
SHF-20	20	60	20	8	37	34	48	7	M6	M5	40
SHF-25	25	70	25	10	42	40	56	7	M6	M5	60
SHF-30	30	80	30	12	50	46	64	9	M8	M6	110
SHF-35	35	92	35	14	58	50	72	12	M10	M8	380
SHF-40	40	105	40	16	67	56	80	12	M10	M10	510
SHF-50	50	122	50	19	83	70	96	14	M12	M12	890
SHF-60	60	140	60	23	95	82	112	14	M12	M12	1500