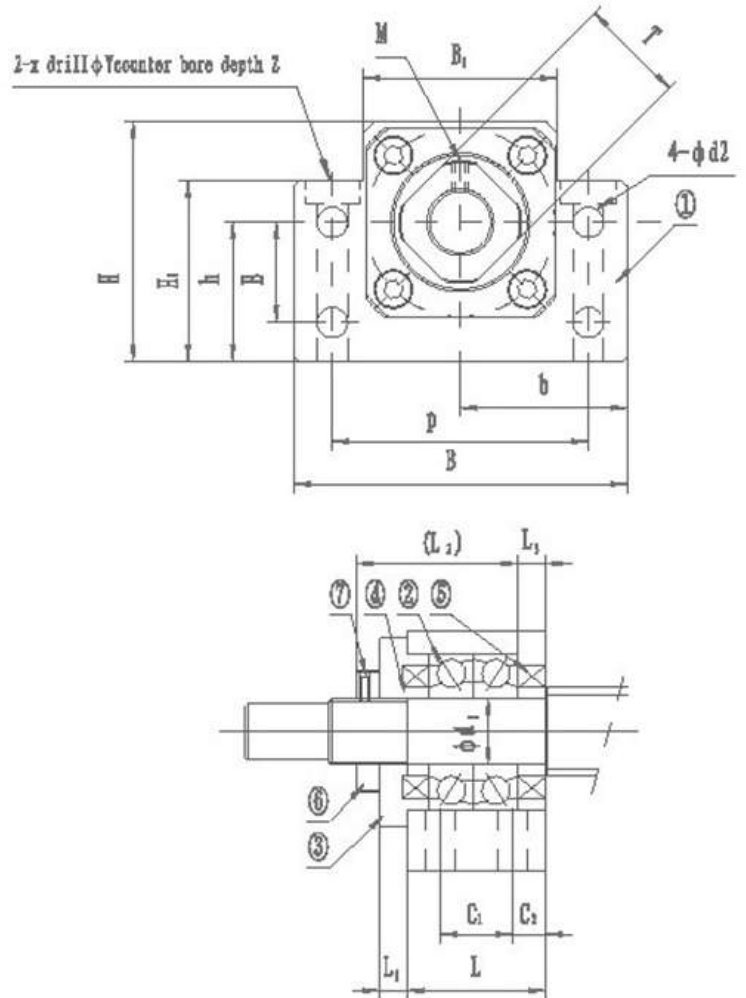




▶ BK



型号 Model No.	部品名称 Part name	数量 Qty
1	轴承座本体 /Housing	1
2	轴承 /Bearing	1 组 /1 set
3	压板 /Holding lid	1
4	间隔圈 /Collar	2
5	轴封 /Seal	1(2)
6	锁固螺帽 /Lock nut	1
7	内六角止付螺丝付铜片 / Hexagon socket-head Setscrew(with set piece)	2

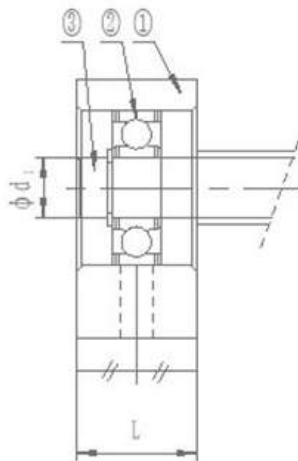
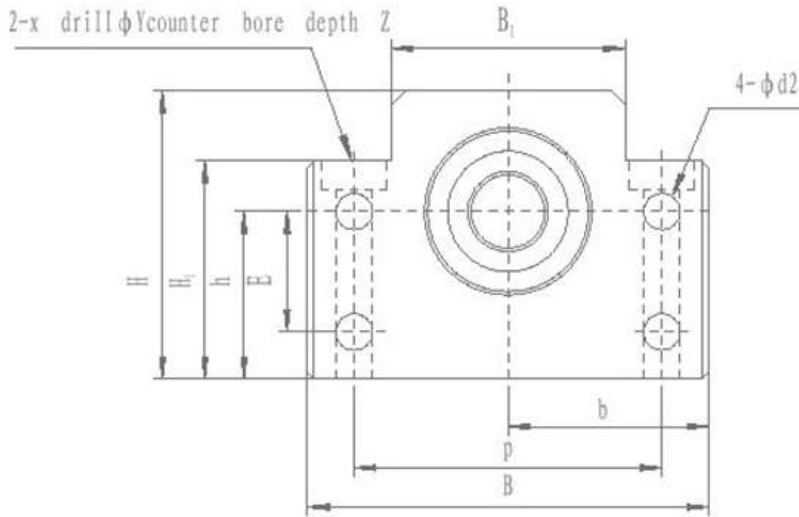
- C7 级使用之 7 字头轴承无预压处理，轴向最大间隙 0.018mm
- C5 级使用之轴承经预压处理，轴向 0 间隙
- 轴承皆采用日系品牌大厂

- Using angular contact ball bearings without preload for C7 types Support Units, and Max. axial clearance is 0.018mm.
- Bearings make Preload for C5 type support units, and Axial clearance is 0mm.
- All of bearings use Japan's brand bearings.

型号 Model No.	轴径 Shaft diameter d	L	L1	L2	L3	B	H	b ±0.02	h ±0.02	B1	H1	E	P	C1	C2	d2	X	Y	Z	M	T
BK10	10	25	5	29	5	60	39	30	22	34	32.5	15	46	13	6	5.5	6.6	10.8	5	M3	16
BK12	12	25	5	29	5	60	43	30	25	34	32.5	18	46	13	6	5.5	6.6	10.8	1.5	M4	19
BK15	15	27	6	32	6	70	48	35	28	40	38	18	54	15	6	5.5	6.6	11	6.5	M4	22
BK17	17	35	9	44	7	86	64	43	39	50	55	28	68	19	8	6.6	9	14	8.5	M4	24
BK20	20	35	8	43	8	88	60	44	34	52	50	22	70	19	8	6.6	9	14	8.5	M4	30
BK25	25	42	12	54	9	106	80	53	48	64	70	33	85	22	10	9	11	17	11	M5	35
BK30	30	45	14	61	9	128	89	64	51	76	78	33	102	23	11	11	14	20	13	M6	40
BK35	35	50	14	67	12	140	96	70	52	88	79	35	114	26	12	11	14	20	13	M8	50
BK40	40	61	18	76	15	160	110	80	60	100	90	37	130	33	14	14	18	26	17.5	M8	50



BF



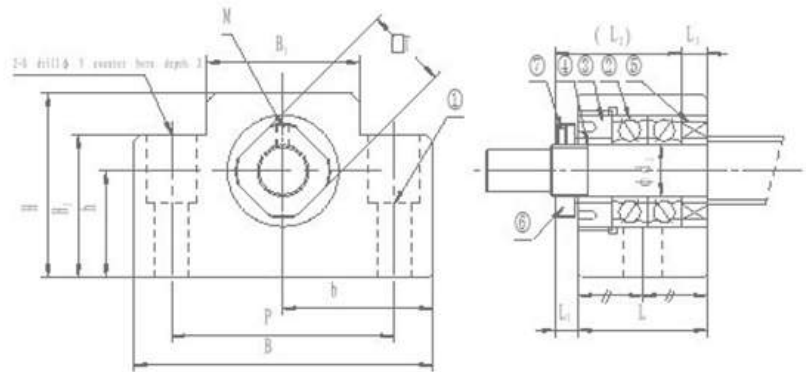
型号 Model No.	部品名称 Part name	数量 Qty
1	轴承座本体 /Housing	1
2	轴承/Bearing	1 组 /1 set
3	C 型扣环 /Snap ring	1

- 染黑使用之轴承采用变铁盖
- 化学镍使用之轴承采用双塑料盖
- 轴承皆采用日系品牌大厂
- It is used double pressed steel cages for Black Oxide type support units.
- It is used double plastic cages for Electroless Nickel Plating type support units.
- All of bearings use Japan's brand bearings.

型号 Model No.	轴径 Shaft diameter d	L	B	H	b ±0.02	h ±0.02	B1	H1	E	P	d2	X	Y	Z	使用轴承 Bearing	使用 C 型扣环 Snap ring
BF10	8	20	60	39	30	22	34	32.5	15	46	5.5	6.6	10.8	5	608ZZ	S 08
BF12	10	20	60	43	30	25	34	32.5	18	46	5.5	6.6	10.8	1.5	6000ZZ	S 10
BF15	15	20	70	48	35	28	40	38	18	54	5.5	6.6	11	6.5	6002ZZ	S 15
BF17	17	23	86	64	43	39	50	55	28	68	6.6	9	14	8.5	6203ZZ	S 17
BF20	20	26	88	60	44	34	52	50	22	70	6.6	9	14	8.5	6004ZZ	S 08
BF25	25	30	106	80	53	48	64	70	33	85	9	11	17	11	6205ZZ	S 25
BF30	30	32	128	89	64	51	76	78	33	102	11	14	20	13	6206ZZ	S 30
BF35	35	32	140	96	70	52	88	79	35	114	11	14	20	13	6207ZZ	S 35
BF40	40	37	160	110	80	60	100	90	37	130	14	18	26	17.5	6208ZZ	S 40

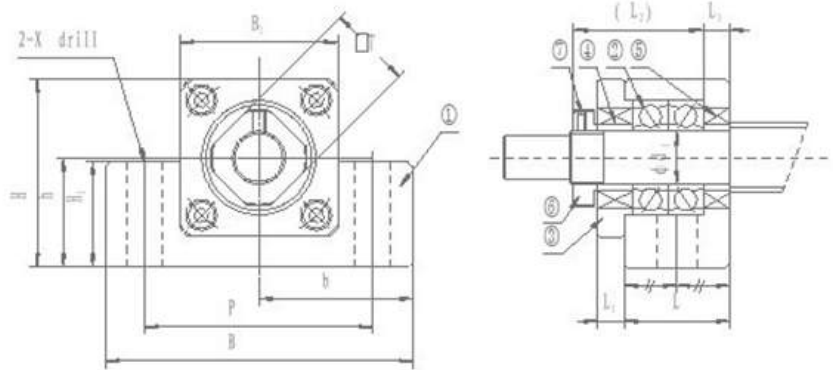


EK



EK06-EK08

型号 Model No.	部品名称 Part name	数量 Qty
1	轴承座本体 /Housing	1
2	轴承 /Bearing	1 组 /1 set
3	压板 /Holding lid	1
4	间隔圈 /Collar	2
5	轴封 /Seal	1(2)
6	锁固螺帽 /Lock nut	1
7	内六角止付螺丝付铜片 / Hexagon socket-head Setscrew(with set piece)	2



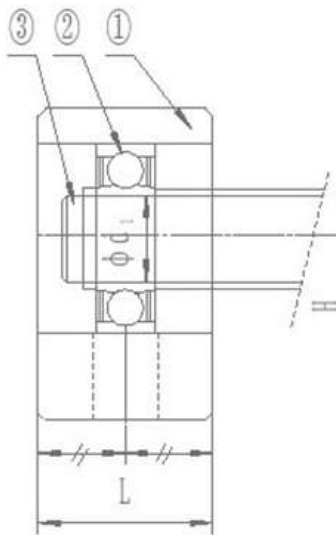
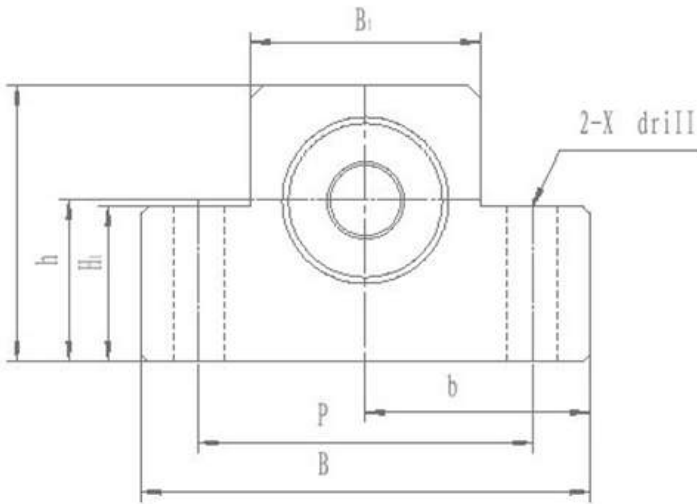
EK10-EK20

- EK05-Ek08 C7 级使用 6 字头轴承，轴向需轻负荷，间隙约 0.03mm。（欲订此规格请先洽询技术资料）
- EK10-EK20 C7 级使用之 7 字头轴承无预压处理，轴向最大间隙 0.018mm
- C5 级使用之轴承经预压处理，轴向 0 间隙
- 轴承皆采用日系品牌大厂
- Using deep groove ball bearings for EK05 to EK08 C7 types Support Units,Which only be applied to light load,and Max.axial clearance is around 0.03mm.
- Using angular contact ball bearings without preload for EK10 to EK20 C7 types Support Units,and Max.axial clearance is 0.018mm.
- Bearings make Preload for C5 type support units,and Axial clearance is 0mm.
- All of bearings use Japan's brand bearings.

型号 Model No.	轴径 Shaft diameter d	L	L1	L2	L3	B	H	b ±0.02	h ±0.02	B1	H1	P	X	Y	Z	M	T
EK05	5	16.5	5.5	18.5	3.5	36	21	18	11	20	8	28	4.5	-	-	M3	11
EK06	6	20	5.5	22	3.5	42	25	21	13	18	20	30	5.5	9.5	11	M3	12
EK08	8	23	7	26	4	52	32	26	17	25	26	38	6.8	11	12	M3	14
EK10	10	24	6	29.5	6	70	43	35	25	36	24	52	9	-	-	M3	16
EK12	12	24	6	29.5	6	70	43	35	25	36	24	52	9	-	-	M4	19
EK15	15	25	6	36	5	80	49	40	30	41	25	60	11	-	-	M4	22
EK20	20	42	10	50	10	95	58	47.5	30	56	25	75	11	-	-	M4	30



EF

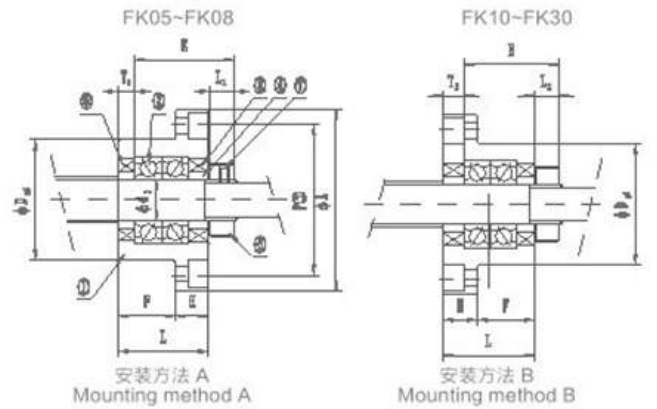
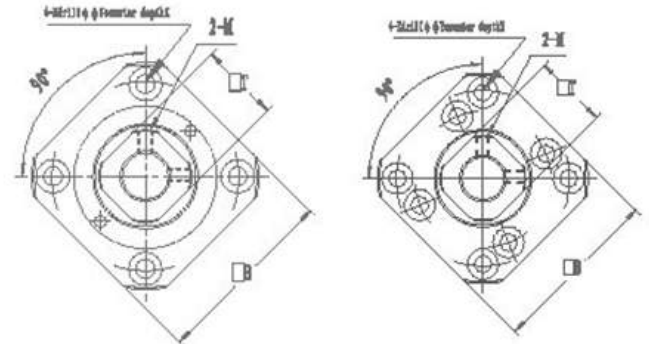


型号 Model No.	部品名称 Part name	数量 Qty
1	轴承座本体 /Housing	1
2	轴承 /Bearing	1 组 /1 set
3	C 型扣环 /Snap ring	1

型号 Model No.	轴径 Shaft diameter d	L	B	H	b ±0.02	h ±0.02	B1	H1	P	X	Y	Z	使用轴承 Bearing	使用 C 型扣环 Snap ring
EF06	6	12	42	25	21	13	18	20	30	5.5	9.5	11	606ZZ	S 06
EF08	6	14	52	32	26	17	25	26	38	6.6	11	12	606ZZ	S 06
EF10	8	20	70	43	35	25	36	24	52	9	-	-	608ZZ	S 08
EF12	10	20	70	43	35	25	36	24	52	9	-	-	6000ZZ	S 10
EF15	15	20	80	49	40	30	41	25	60	9	-	-	6002ZZ	S 15
EF20	20	26	95	58	47.5	30	56	25	75	11	-	-	6204ZZ	S 20



FK

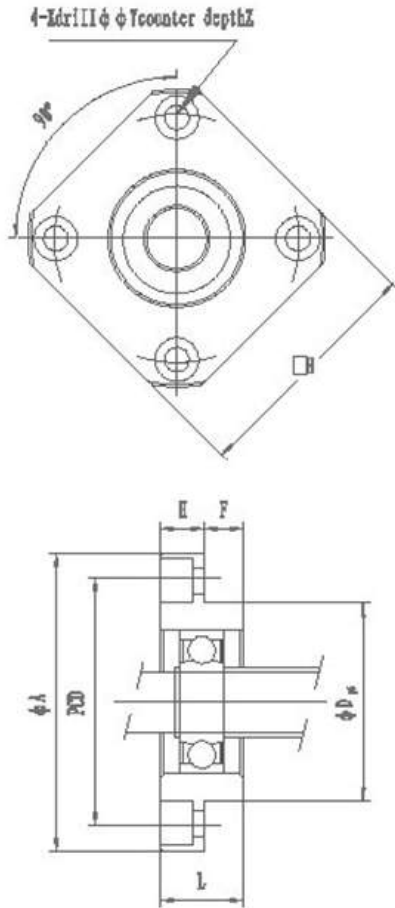


型号 Model No.	部品名称 Part name	数量 Qty
1	轴承座本体 /Housing	1
2	轴承 /Bearing	1 组 /1 set
3	压板 /Holding lid	1
4	间隔圈 /Collar	2
5	轴封 /Seal	2
6	锁固螺帽 /Lock nut	1 组 /1 set
7	内六角止付螺丝付铜片 / Hexagon socket-head Setscrew(with set piece)	2

型号 Model No.	轴径 Shaft diameter d	L	H	F	E	Dg6	A	PDC	B	装置方法 A		装置方法 B		X	Y	Z	M	T
										L1	T1	L2	T2					
FK04	4	15	6	9	17.5	20 ^{-0.007} _{-0.02}	32	24	25	5	3	3.4	5	3.4	6.5	4	M3	11
FK05	5	16.5	6	10.5	18.5	20 ^{-0.007} _{-0.02}	34	26	26	5.5	3.5	7	5	3.4	6.5	4	M3	11
FK06	6	20	7	13	22	20 ^{-0.007} _{-0.02}	36	28	28	5.5	3.5	8.5	6.5	3.4	6.5	4	M3	12
FK08	8	23	9	14	26	28 ^{-0.007} _{-0.02}	43	35	35	7	4	10	7	3.4	6.5	4	M3	14
FK10	10	27	10	17	29.5	34 ^{-0.009} _{-0.025}	52	42	42	7.5	5	8.5	6	4.5	8	4	M3	16
FK12	12	27	10	17	29.5	36 ^{-0.009} _{-0.025}	54	44	44	7.5	5	8.5	6	4.5	8	4	M4	19
FK15	15	32	15	17	36	40 ^{-0.009} _{-0.025}	63	50	52	10	6	12	8	5.5	9.5	6	M4	22
FK17	17	45	22	23	47	50 ^{-0.009} _{-0.025}	77	62	61	11	9	14	12	6.6	11	10	M4	24
FK20	20	52	22	30	50	57 ^{-0.010} _{-0.029}	85	70	68	8	10	12	14	6.6	11	10	M4	30
FK25	25	57	27	30	60	63 ^{-0.010} _{-0.029}	98	80	79	13	10	20	17	9	15	13	M5	35
FK30	30	62	30	32	61	75 ^{-0.010} _{-0.029}	117	95	93	11	12	17	18	11	17.5	15	M6	40



FF

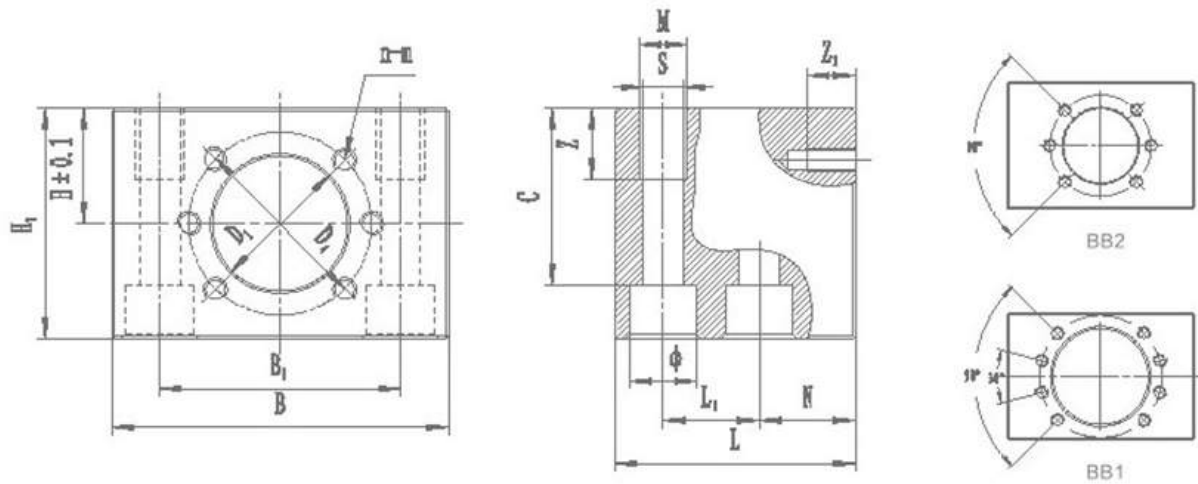


型号 Model No.	部品名称 Part name	数量 Qty
1	轴承座本体 /Housing	1
2	轴承 /Bearing	1 组 /1 set
3	压板 /Holding lid	1

型号 Model No.	轴径 Shaft diameter d	L	H	F	Dg6	A	PDC	B	X	Y	Z	使用轴承 Bearing	使用 C 型扣环 Snap ring
FF06	6	10	6	4	22 ^{-0.007} _{-0.02}	36	28	28	3.4	6.5	4	606ZZ	S 06
FF10	8	12	7	5	28 ^{-0.007} _{-0.02}	43	35	35	3.4	6.5	4	608ZZ	S 08
FF12	10	15	7	8	34 ^{-0.009} _{-0.025}	52	42	42	4.5	8	4	6000ZZ	S 10
FF15	15	17	9	8	40 ^{-0.009} _{-0.025}	63	50	52	5.5	9.5	6.5	6002ZZ	S 15
FF17	17	20	11	9	50 ^{-0.009} _{-0.025}	77	62	61	6.6	11	6.5	6203ZZ	S 17
FF20	20	20	11	9	57 ^{-0.010} _{-0.029}	85	70	68	6.6	11	6.5	6204ZZ	S 20
FF25	25	24	14	10	63 ^{-0.010} _{-0.029}	98	80	79	9	14	8.5	6205ZZ	S 25
FF30	30	27	18	9	75 ^{-0.010} _{-0.029}	117	95	93	11	17	11	6206ZZ	S 30



MGD



螺母座 型号	螺母座 连接尺寸标准	参考编号 Rexroth	螺母座尺寸																		
			D1	L	B	D4	m	Z1	n	孔布局	H	H1	B1	L1	N	M	Z	S	ϕ	C	
MGD12	DIN 69051 Part 5	R1506 000 50	24.4	35	50	32	M4	8	6	BB2	18	36	35	16	11	M6	10	5.2	9.5	27	
MGD16		R1506 100 50	28.4	50	70	38	M5	10	6	BB2	24	48	50	20	20	M10	15	8.4	14	37	
MGD20		R1506 200 50	36.4	55	75	47	M6	11	6	BB2	28	56	55	23	22	M10	15	8.4	14	45	
MGD25		R1506 300 50	40.4	55	80	51	M6	11	6	BB2	30	60	60	23	22	M10	15	8.4	14	49	
MGD32		R1506 400 50	50.4	70	100	65	M8	14	6	BB2	35	70	75	30	27	M16	20	13	20	52	
MGD40		R1506 500 50	63.4	80	120	78	M8	17	8	BB1	42	84	90	35	31	M18	25	15	23	66	
MGD50			175	75.4	95	140	93	M19	17	8	BB1	48	96	110	45	34	M20	30	17	26	75